

# 8025 Size: 80x80x25mm



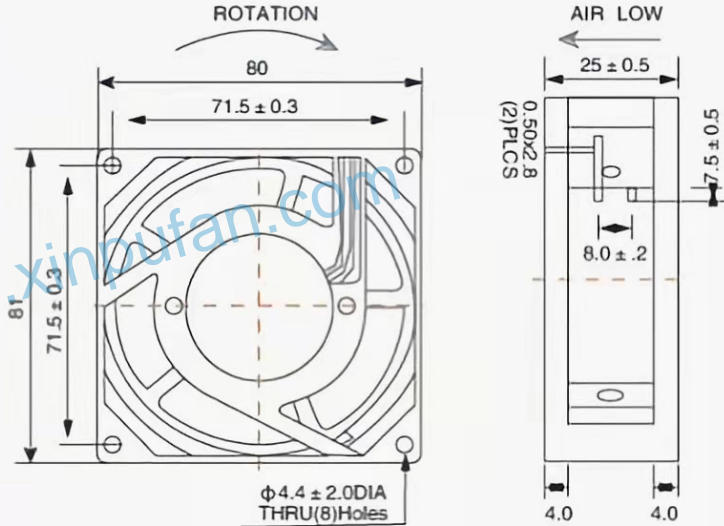
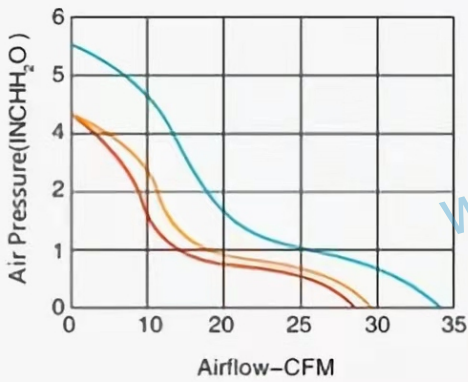
**Bearing system :**  
Sleeve/Ball

**Housing/Impeller :**  
Plastic Material UL94V-0 PBT

**Expectancy Life:**  
50000 hours at 25°C-Ball  
30000 hours at 25°C-Sleeve

**Operating Temperature:**  
Sleeve bearing -10°C~70°C  
Ball bearing -40°C~75°C

**Weight:** 230g



Model (型号)	operation Voltage (电压)	Freq (频率)	Current (电流)	Power (功率)	Speed (转速)	Air Flow (风量)	Pressure (风压)	Noise dBA (噪音)
	VAC	HZ	Amp	W	RPM	CFM	INCHH <sub>2</sub> O	dB-A
XA8025B110(120)H	110/120	50/60	0.14/0.12	12/10	2300/2700	26/35	4.2/5.4	29/33
XA8025B220(240)H	220/240	50/60	0.08/0.06	13/11	2300/2800	28/35	4.2/5.4	29/33
XA8025B380H	380	50/60	0.05/0.04	14/11	2400/2800	28/35	4.2/5.4	29/35

AC AXIAL FAN

# 8038 Size: 80x80x38mm



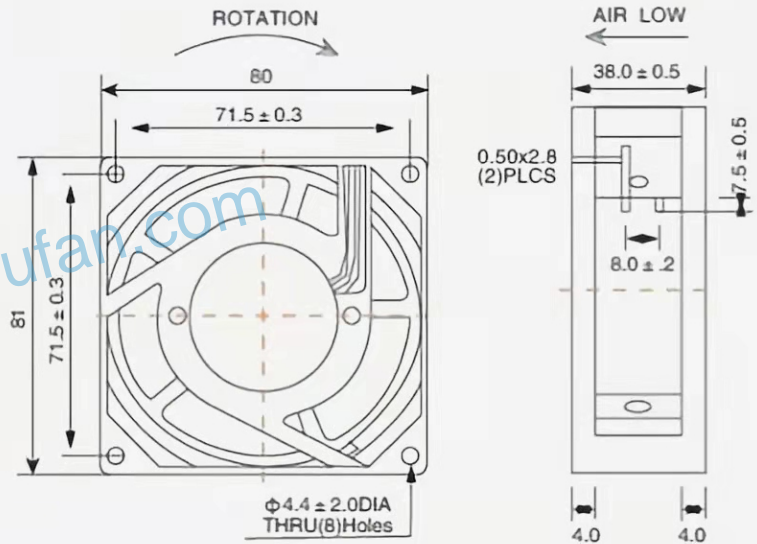
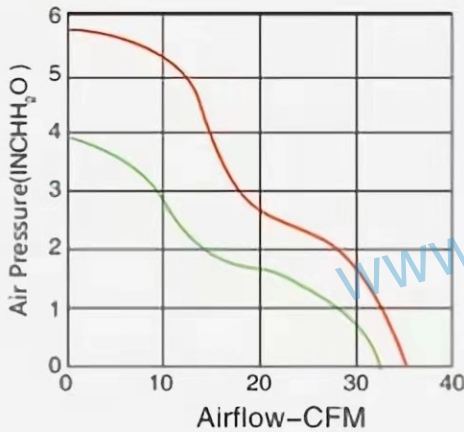
**Bearing system :**  
Sleeve/Ball

**Housing/Impeller :**  
Plastic Material UL94V-0 PBT

**Expectancy Life:**  
50000 hours at 25°C-Ball  
30000 hours at 25°C-Sleeve

**Operating Temperature:**  
Sleeve bearing -10°C~70°C  
Ball bearing -40°C~75°C

**Weight:** 275g



AC AXIAL FAN

Model (型号)	operation Voltage (电压)	Freq (频率)	Current (电流)	Power (功率)	Speed (转速)	Air Flow (风量)	Pressure (风压)	Noise dBA (噪音)
	VAC	HZ	Amp	W	RPM	CFM	INCH <sub>2</sub> O	dB-A
XA8038B110(120)H	110/120	50/60	0.15/0.13	16/13	2300/2700	32/35	4.0/5.6	31/35
XA8038B220(240)H	220/240	50/60	0.08/0.07	15/12	2300/2800	32/35	4.2/5.6	31/35
XA8038B380H	380	50/60	0.05/0.04	15/11	2400/2800	32/35	4.5/5.8	32/36

# 9225 Size: 92x92x25mm



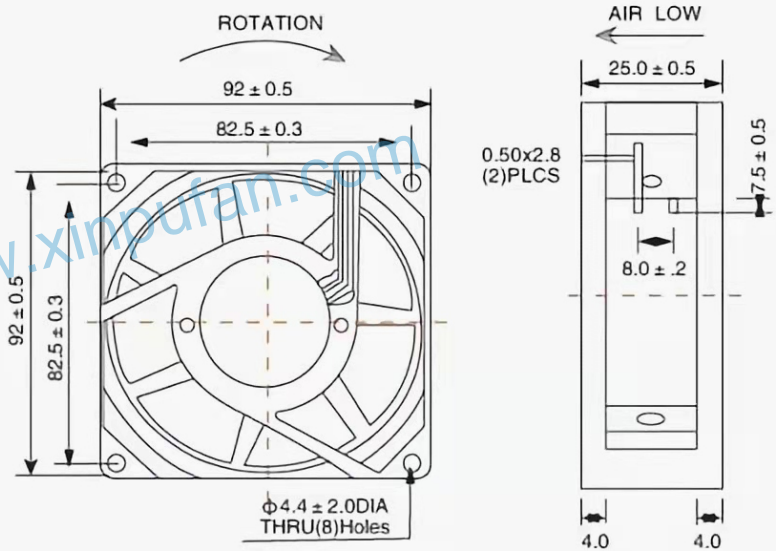
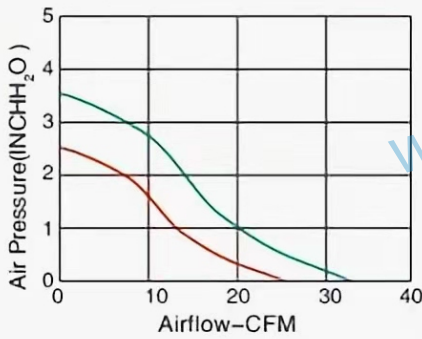
**Bearing system :**  
Sleeve/Ball

**Housing/Impeller :**  
Plastic Material UL94V-0 PBT

**Expectancy Life:**  
50000 hours at 25°C-Ball  
30000 hours at 25°C-Sleeve

**Operating Temperature:**  
Sleeve bearing -10°C~70°C  
Ball bearing -40°C~75°C

**Weight:** 268g



AC AXIAL FAN

Model (型号)	operation Voltage (电压)	Freq (频率)	Current (电流)	Power (功率)	Speed (转速)	Air Flow (风量)	Pressure (风压)	Noise dBA (噪音)
	VAC	HZ	Amp	W	RPM	CFM	INCHH <sub>2</sub> O	dB-A
XA9225B110(120)H	110/120	50/60	0.14/0.12	15/13	2300/2650	26/32	2.5/3.5	35/39
XA9225B220(240)H	220/240	50/60	0.08/0.07	16/12	2300/2700	27/32	2.6/3.5	35/39
XA9225B380H	380	50/60	0.05/0.04	16/12	2400/2700	27/32	2.6/3.5	35/39

# 9238 Size: 92x92x38mm



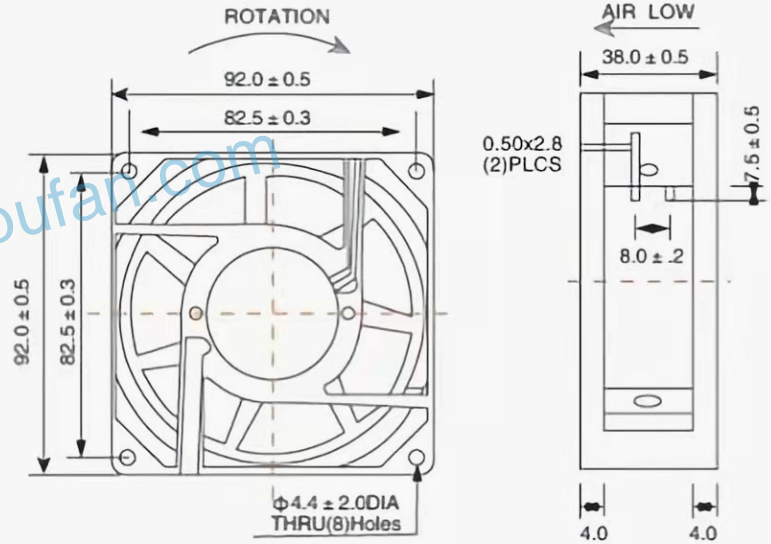
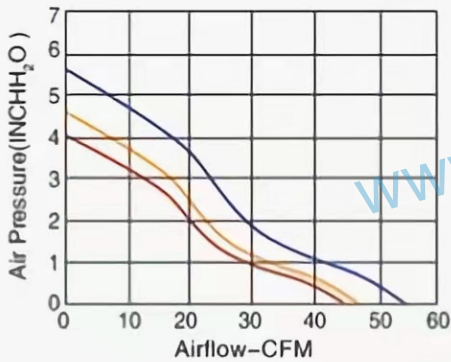
**Bearing system :**  
Sleeve/Ball

**Housing/Impeller :**  
Plastic Material UL94V-0 PBT

**Expectancy Life:**  
50000 hours at 25°C-Ball  
30000 hours at 25°C-Sleeve

**Operating Temperature:**  
Sleeve bearing -10°C-70°C  
Ball bearing -40°C-75°C

**Weight:** 360g



Model (型号)	operation Voltage (电压)	Freq (频率)	Current (电流)	Power (功率)	Speed (转速)	Air Flow (风量)	Pressure (风压)	Noise dBA (噪音)
	VAC	HZ	Amp	W	RPM	CFM	INCHH <sub>2</sub> O	dB-A
XA9238B110(120)H	110/120	50/60	0.15/0.13	16/13	2300/2700	44/54	4.0/5.6	37/40
XA9238B220(240)H	220/240	50/60	0.08/0.07	15/12	2300/2800	45/55	4.2/5.6	37/41
XA9238B380H	380	50/60	0.05/0.04	14/10	2400/2800	45/55	4.5/5.8	37/41

# 11025 Size: 110x110x25mm



**Bearing system :**

Sleeve/Ball

**Housing/Impeller :**

Plastic Material UL94V-0 PBT

**Expectancy Life:**

50000 hours at 25°C-Ball

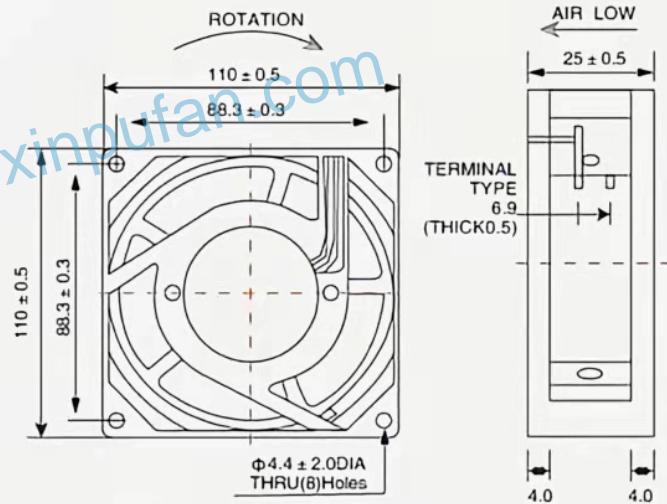
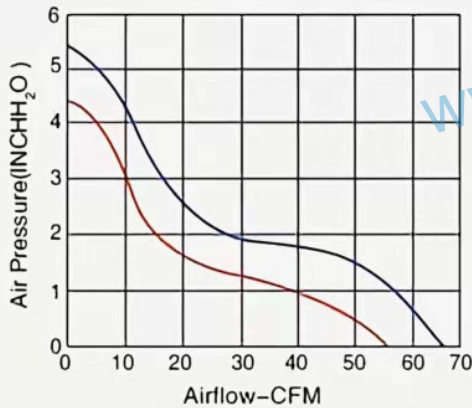
30000 hours at 25°C-Sleeve

**Operating Temperature:**

Sleeve bearing -10°C-70°C

Ball bearing -40°C-75°C

**Weight:** 310g



AC AXIAL FAN

Model (型号)	operation Voltage (电压)	Freq (频率)	Current (电流)	Power (功率)	Speed (转速)	Air Flow (风量)	Pressure (风压)	Noise dBA (噪音)
	VAC	HZ	Amp	W	RPM	CFM	INCH H <sub>2</sub> O	dB-A
XA11025B110(120)H	110/120	50/60	0.13/0.12	15/11	2100/2500	55/67	4.4/4.9	32/38
XA11025B220(240)H	220/240	50/60	0.08/0.07	16/12	2100/2600	56/68	4.5/5.0	33/39
XA11025B380H	380	50/60	0.05/0.04	16/13	2100/2600	56/68	4.5/5.3	33/39

# 18060

Size: 180x180x60mm



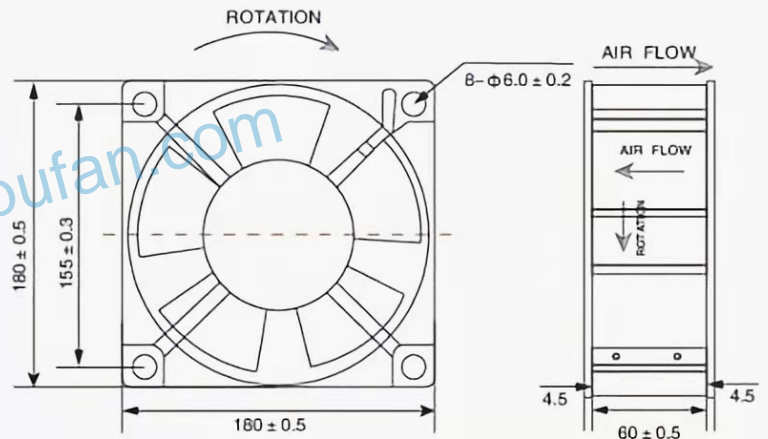
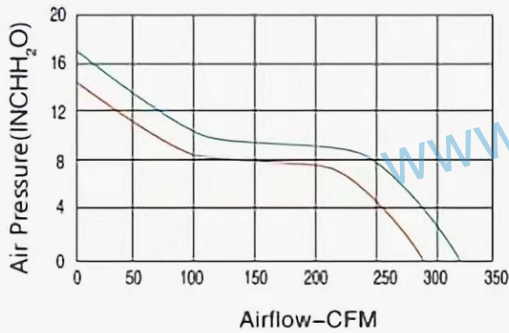
**Bearing system :**  
Sleeve/Ball

**Housing/Impeller :**  
Plastic Material UL94V-0 PBT

**Expectancy Life:**  
50000 hours at 25°C-Ball  
30000 hours at 25°C-Sleeve

**Operating Temperature:**  
Sleeve bearing -10°C~70°C  
Ball bearing -40°C~75°C

**Weight:** 950g



AC AXIAL FAN

Model (型号)	operation Voltage (电压)	Freq (频率)	Current (电流)	Power (功率)	Speed (转速)	Air Flow (风量)	Pressure (风压)	Noise dBA (噪音)
	VAC	HZ	Amp	W	RPM	CFM	INCHH <sub>2</sub> O	dB-A
XA18060B110(120)H	110/120	50/60	0.61/0.45	70/50	2300/2700	290/320	15/17	55/59
XA18060B220(240)H	220/240	50/60	0.32/0.22	70/50	2350/2700	290/320	15/17	55/59

# 20060

Size: 200x200x60mm



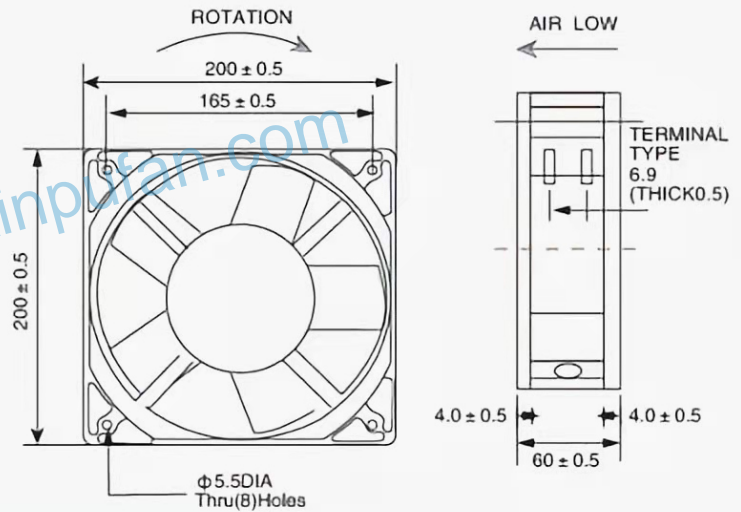
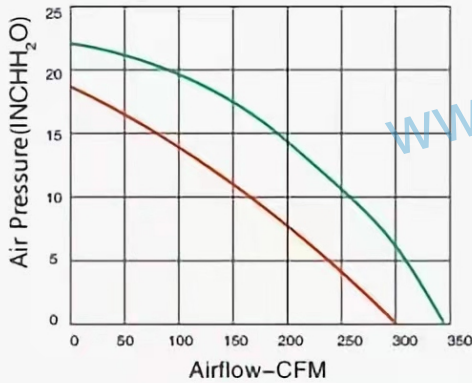
**Bearing system :**  
Sleeve/Ball

**Housing/Impeller :**  
Plastic Material UL94V-0 PBT

**Expectancy Life:**  
50000 hours at 25°C-Ball  
30000 hours at 25°C-Sleeve

**Operating Temperature:**  
Sleeve bearing -10°C~70°C  
Ball bearing -40°C~75°C

**Weight:** 1700g



Model (型号)	operation Voltage (电压)	Freq (频率)	Current (电流)	Power (功率)	Speed (转速)	Air Flow (风量)	Pressure (风压)	Noise dBA (噪音)
	VAC	HZ	Amp	W	RPM	CFM	INCHH <sub>2</sub> O	dB-A
XA20060B110(120)H	110/120	50/60	0.86/0.78	78/62	2300/2700	300/360	18/23	61/65
XA20060B220(240)H	220/240	50/60	0.40/0.32	77/62	2350/2700	300/360	18/23	61/65



# 22060

Size:  $\Phi 220 \times 60 \text{mm}$

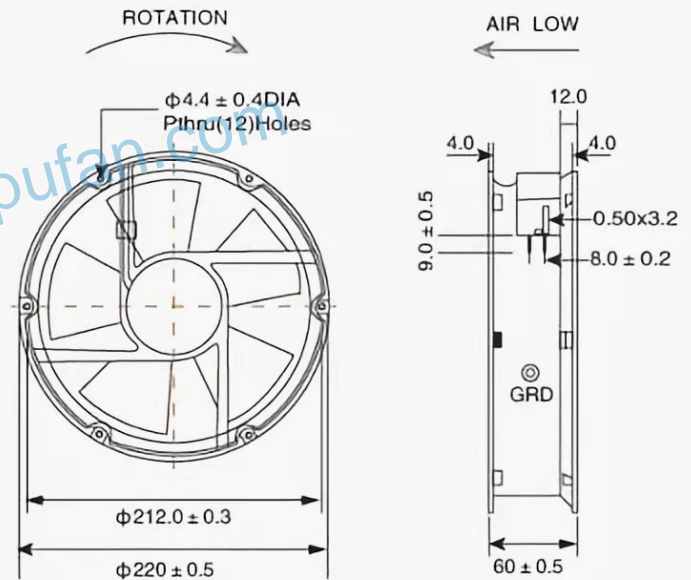
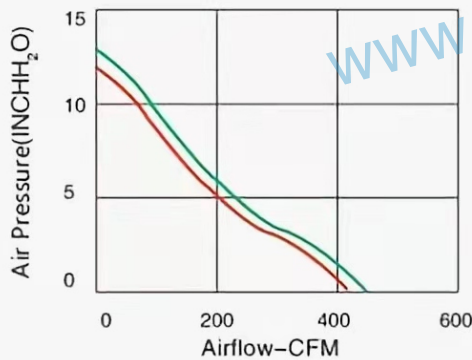
**Bearing system :**  
Sleeve/Ball

**Housing/Impeller :**  
Plastic Material UL94V-0 PBT

**Expectancy Life:**  
50000 hours at 25°C-Ball  
30000 hours at 25°C-Sleeve

**Operating Temperature:**  
Sleeve bearing -10°C~70°C  
Ball bearing -40°C~75°C

**Weight:** 1540g



Model (型号)	operation Voltage (电压)	Freq (频率)	Current (电流)	Power (功率)	Speed (转速)	Air Flow (风量)	Pressure (风压)	Noise dBA (噪音)
	VAC	HZ	Amp	W	RPM	CFM	INCH H <sub>2</sub> O	dB-A
XA22060B110H	110	50/60	0.55	60	2650/2900	420/450	11.9/12.7	62/68
XA22060B220H	220	50/60	0.44	60	2650/2900	420/450	11.9/12.7	62/68