

2006

 Size: 20x20x6mm

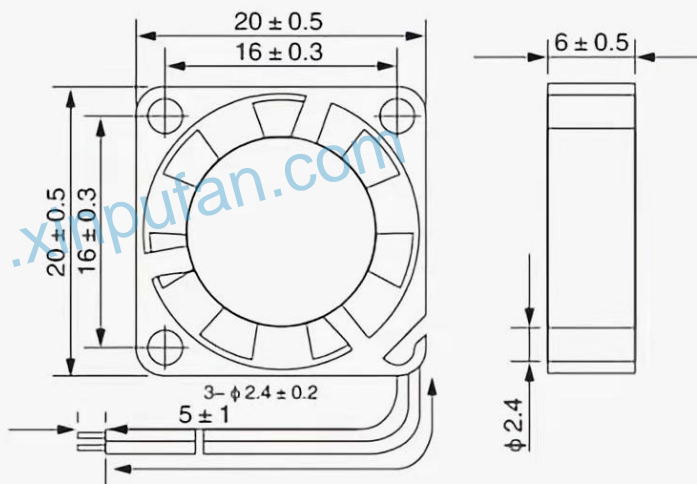
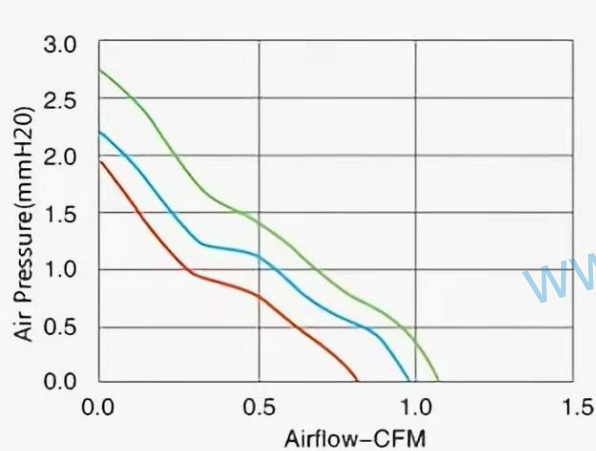

Bearing system :
Sleeve/Hydraulic

Housing/Impeller :
Plastic Material UL94V-0 PBT

Expectancy Life:
30000 hours at 25°C-Sleeve

Operating Temperature:
Sleeve bearing -10°C~70°C

Weight: 3.5g



Model (型号)	Voltage (电压)	Operating Voltage (电压范围)	Current (电流)	Speed (转速)	Air Flow (风量)	Air Pressure (风压)	Noise (噪音)
	VDC	VDC	Amp	RPM	CFM	mmH ₂ O	dB-A
XA2006S05L	5	4.3-5.4	0.08	8000	0.79	1.95	21.5
XA2006S05M			0.12	10000	0.95	2.22	25.6
XA2006S05H			0.16	12000	1.12	2.69	31.2
XA2006S12L	12	7.0-13.5	0.04	8000	0.79	1.95	21.5
XA2006S12M			0.06	10000	0.95	2.22	25.6
XA2006S12H			0.1	12000	1.12	2.69	31.2



2010

 Size: 20x20x10mm

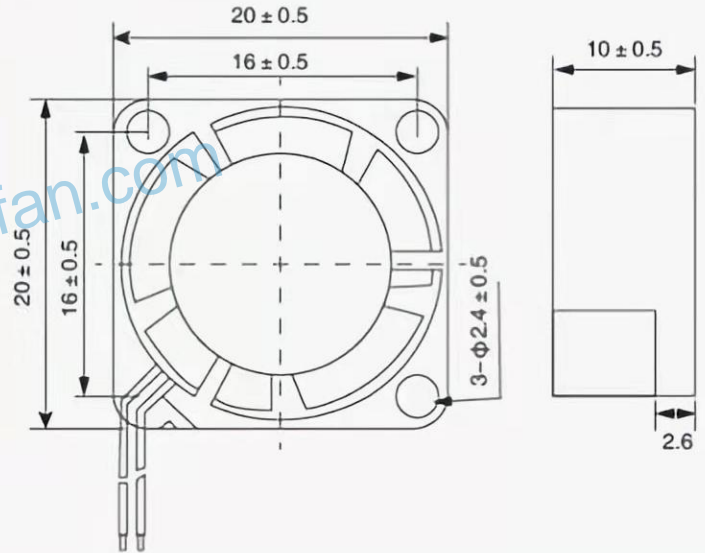
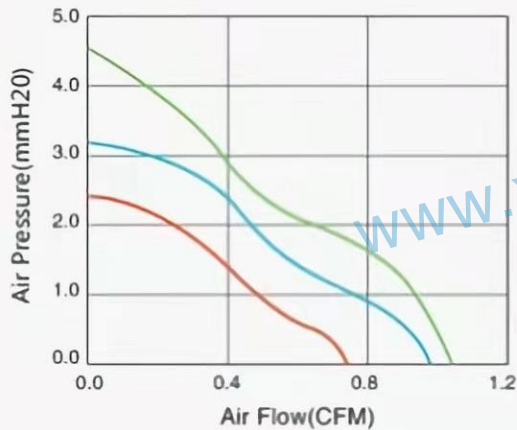
Bearing system :
Sleeve/Hydraulic/Ball

Housing/Impeller :
Plastic Material UL94V-0 PBT

Expectancy Life :
50000 hours at 25°C-Ball
30000 hours at 25°C-Sleeve

Operating Temperature :
Sleeve bearing -10°C~70°C
Ball bearing -40°C~75°C

Weight : 5g



Model (型号)	Voltage (电压)	Operating Voltage (电压范围)	Current (电流)	Speed (转速)	Air Flow (风量)	Air Pressure (风压)	Noise (噪音)
	VDC	VDC	Amp	RPM	CFM	mmH ₂ O	dB-A
XA2010B(S)05L	5	4.3-5.4	0.06	10000	0.78	2.28	20.0
XA2010B(S)05M			0.08	12000	0.98	3.39	25.5
XA2010B(S)05H			0.13	14000	1.13	4.28	27.0
XA2010B(S)12L	12	7.0-13.5	0.03	10000	0.78	2.28	20.0
XA2010B(S)12M			0.05	12000	0.98	3.39	25.5
XA2010B(S)12H			0.08	14000	1.13	4.28	27.0

2507

Size: 25x25x7mm



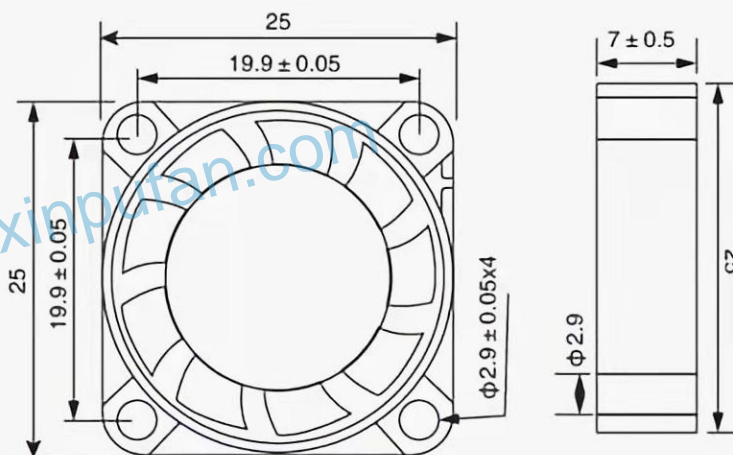
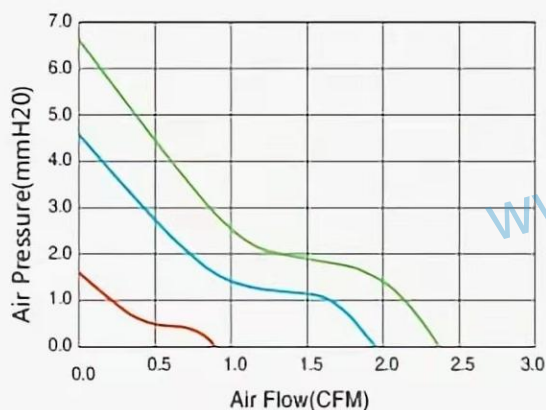
Bearing system :
Sleeve/Hydraulic

Housing/Impeller :
Plastic Material UL94V-0 PBT

Expectancy Life:
30000 hours at 25°C-Sleeve

Operating Temperature:
Sleeve bearing -10°C~70°C

Weight: 5g



Model (型号)	Voltage (电压)	Operating Voltage (电压范围)	Current (电流)	Speed (转速)	Air Flow (风量)	Air Pressure (风压)	Noise (噪音)
	VDC	VDC	Amp	RPM	CFM	mmH ₂ O	dB-A
XA2507S05L	5	4.3-5.4	0.11	7000	0.85	1.26	21
XA2507S05M			0.23	14000	1.98	4.69	35
XA2507S05H			0.3	17000	2.36	6.67	38
XA2507S12L	12	7.0-13.5	0.05	7000	0.85	1.26	21
XA2507S12M			0.1	14000	1.98	4.69	35
XA2507S12H			0.13	17000	2.36	6.67	38



2510

 Size: 25x25x10mm

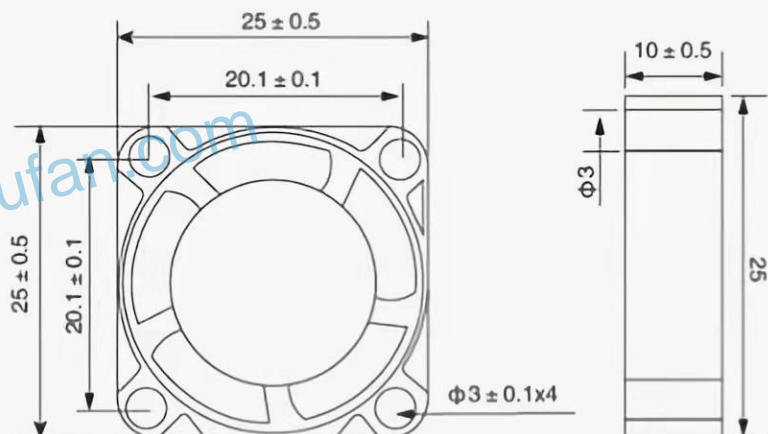
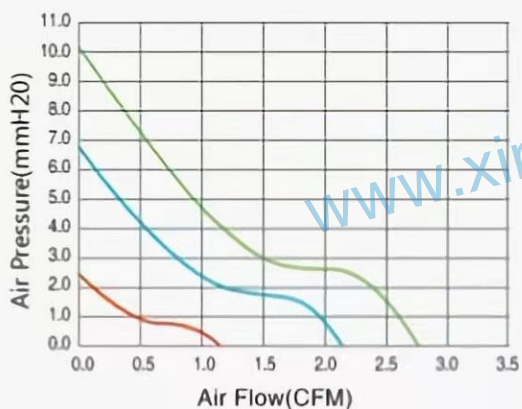
Bearing system :
Sleeve/Hydraulic/Ball

Housing/Impeller :
Plastic Material UL94V-0 PBT

Expectancy Life:
50000 hours at 25°C-Ball
30000 hours at 25°C-Sleeve

Operating Temperature:
Sleeve bearing -10°C~70°C
Ball bearing -40°C~75°C

Weight: 6.8g



Model (型号)	Voltage (电压)	Operating Voltage (电压范围)	Current (电流)	Speed (转速)	Air Flow (风量)	Air Pressure (风压)	Noise (噪音)
	VDC	VDC	Amp	RPM	CFM	mmH ₂ O	dB-A
XA2510B(S)05L	5	4.5-5.5	0.09	7000	1.11	2.17	22.0
XA2510B(S)05M			0.17	12000	2.20	6.93	33.5
XA2510B(S)05H			0.23	15000	2.75	10.08	38.0
XA2510B(S)12L	12	10.8-13.2	0.04	7000	1.11	2.17	22.0
XA2510B(S)12M			0.08	12000	2.20	6.93	33.5
XA2510B(S)12H			0.10	15000	2.75	10.08	38.0

3007

Size: 30x30x7mm



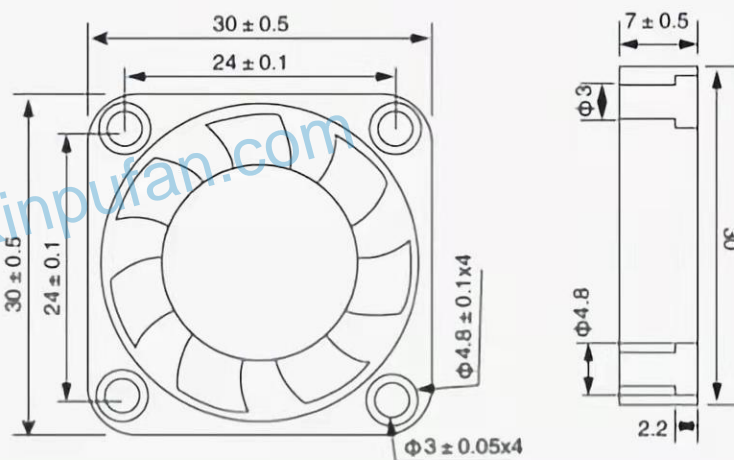
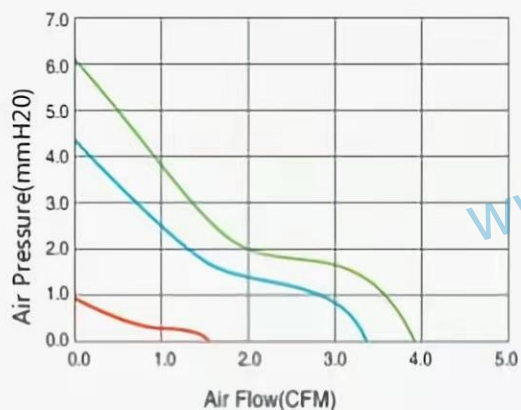
Bearing system :
Sleeve/Hydraulic

Housing/Impeller :
Plastic Material UL94V-0 PBT

Expectancy Life:
30000 hours at 25°C-Sleeve

Operating Temperature:
Sleeve bearing -10°C-70°C

Weight: 6.2g



Model (型号)	Voltage (电压)	Operating Voltage (电压范围)	Current (电流)	Speed (转速)	Air Flow (风量)	Air Pressure (风压)	Noise (噪音)
	VDC	VDC	Amp	RPM	CFM	mmH ₂ O	dB-A
XA3007S05L	5	4.3-5.4	0.12	5000	1.23	0.82	22.0
XA3007S05M			0.25	11000	3.13	4.42	34.5
XA3007S05H			0.32	13000	3.81	6.06	38.5
XA3007S12L	12	7.0-13.5	0.05	5000	1.23	0.82	22.0
XA3007S12M			0.10	11000	3.13	4.42	34.5
XA3007S12H			0.13	13000	3.81	6.06	38.5



3010

 Size: 30x30x10mm

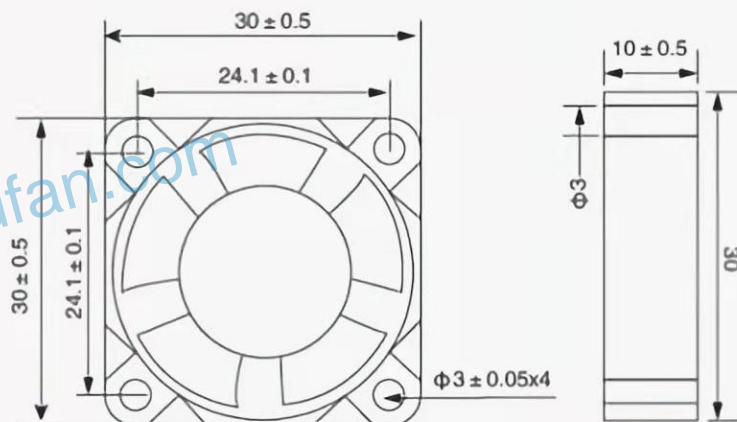
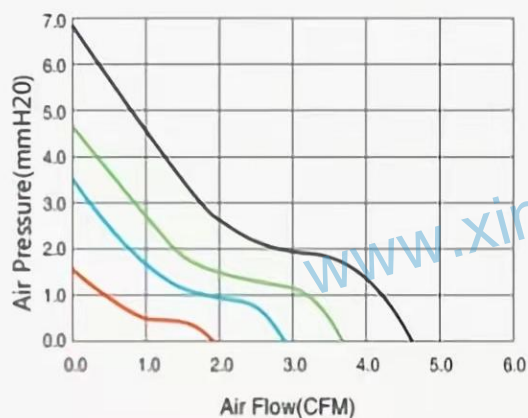
Bearing system :
Sleeve/Hydraulic/Ball

Housing/Impeller :
Plastic Material UL94V-0 PBT

Expectancy Life:
50000 hours at 25°C-Ball
30000 hours at 25°C-Sleeve

Operating Temperature:
Sleeve bearing -10°C~70°C
Ball bearing -40°C~75°C

Weight: 7.6g



Model (型号)	Voltage (电压)	Operating Voltage (电压范围)	Current (电流)	Speed (转速)	Air Flow (风量)	Air Pressure (风压)	Noise (噪音)
	VDC	VDC	Amp	RPM	CFM	mmH ₂ O	dB-A
XA3010B(S)05L	5	4.3-5.4	0.10	5800	1.84	1.36	24.0
XA3010B(S)05M			0.15	8500	2.90	3.34	29.0
XA3010B(S)05H			0.17	10500	3.75	4.48	32.7
XA3010B(S)05X			0.22	13000	4.46	6.97	37.8
XA3010B(S)12L	12	7.0-13.5	0.04	5800	1.84	1.36	24.0
XA3010B(S)12M			0.06	8500	2.90	3.34	29.0
XA3010B(S)12H			0.08	10500	3.75	4.48	32.7
XA3010B(S)12X			0.10	13000	4.46	6.97	37.8

3510

Size: 35x35x10mm



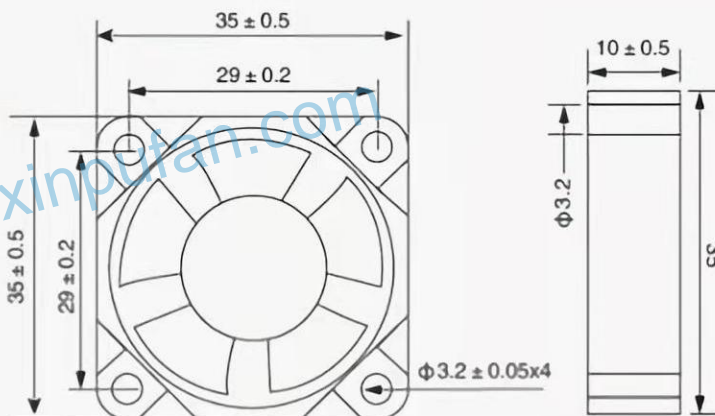
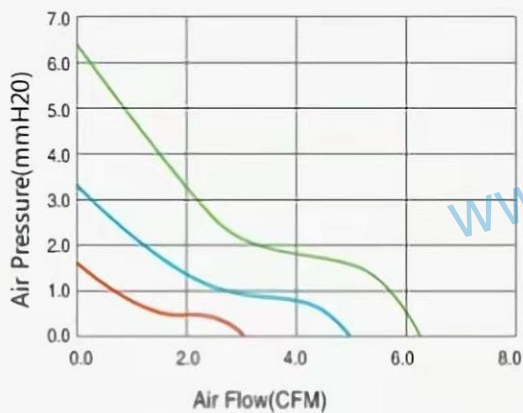
Bearing system :
Sleeve/Hydraulic/Ball

Housing/Impeller :
Plastic Material UL94V-0 PBT

Expectancy Life:
50000 hours at 25°C-Ball
30000 hours at 25°C-Sleeve

Operating Temperature:
Sleeve bearing -10°C~70°C
Ball bearing -40°C~75°C

Weight: 9.0g



Model (型号)	Voltage (电压)	Operating Voltage (电压范围)	Current (电流)	Speed (转速)	Air Flow (风量)	Air Pressure (风压)	Noise (噪音)
	VDC	VDC	Amp	RPM	CFM	mmH ₂ O	dB-A
XA3510B(S)05L	5	4.3-5.4	0.09	5000	2.59	1.45	25.4
XA3510B(S)05M			0.20	8000	4.50	3.2	33.8
XA3510B(S)05H			0.24	11500	6.15	6.38	42.0
XA3510B(S)12L	12	7.0-13.5	0.04	5000	2.59	1.45	25.4
XA3510B(S)12M			0.09	8000	4.50	3.2	33.8
XA3510B(S)12H			0.11	11500	6.15	6.38	42.0



4007

 Size: 40x40x7mm

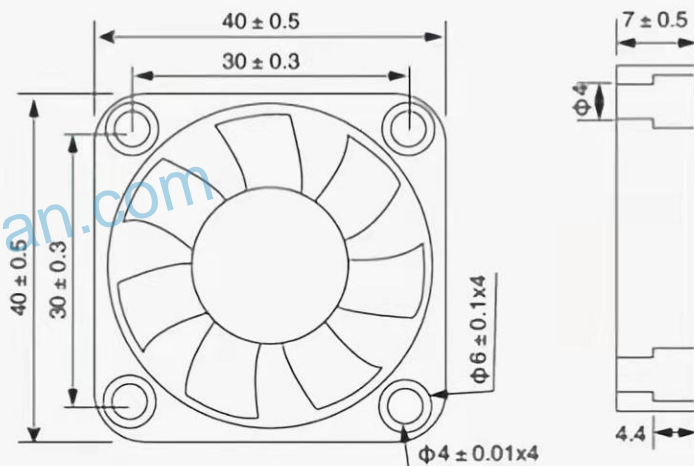
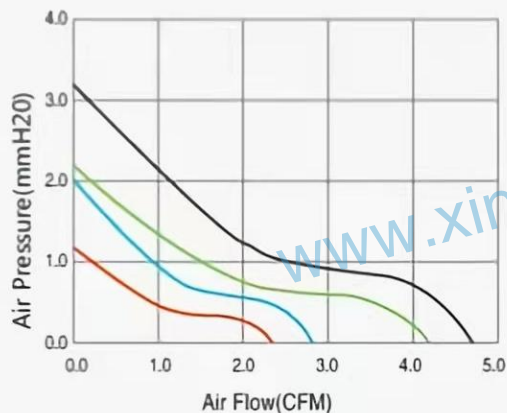
Bearing system :
Sleeve/Hydraulic

Housing/Impeller :
Plastic Material UL94V-0 PBT

Expectancy Life:
30000 hours at 25°C-Sleeve

Operating Temperature:
Sleeve bearing -10°C-70°C

Weight: 14.0g



Model (型号)	Voltage (电压)	Operating Voltage (电压范围)	Current (电流)	Speed (转速)	Air Flow (风量)	Air Pressure (风压)	Noise (噪音)
	VDC	VDC	Amp	RPM	CFM	mmH ₂ O	dB-A
XA4007S05L	5	4.3-5.4	0.12	4500	2.58	1.10	24.0
XA4007S05M			0.18	6000	3.84	2.08	30.0
XA4007S05H			0.22	7000	4.24	2.16	33.0
XA4007S05X			0.25	8000	4.72	3.04	35.0
XA4007S12L	12	7.0-13.5	0.05	4500	2.58	1.10	24.0
XA4007S12M			0.07	6000	3.84	2.08	30.0
XA4007S12H			0.09	7000	4.24	2.16	33.0
XA4007S12X			0.10	8000	4.72	3.04	35.0

4010

 Size: 40x40x10mm

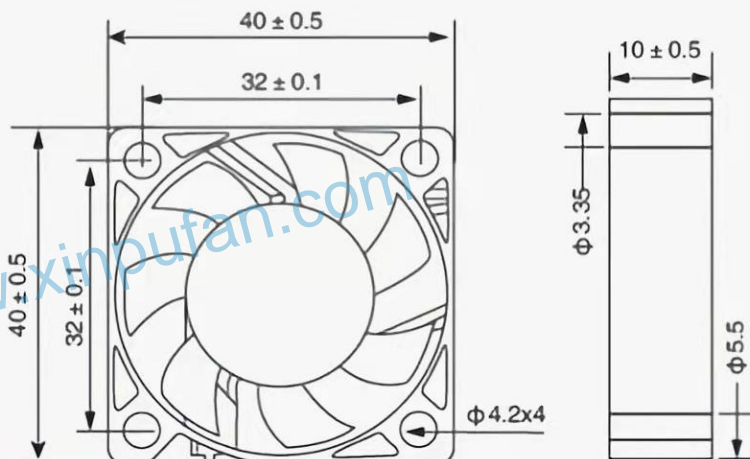
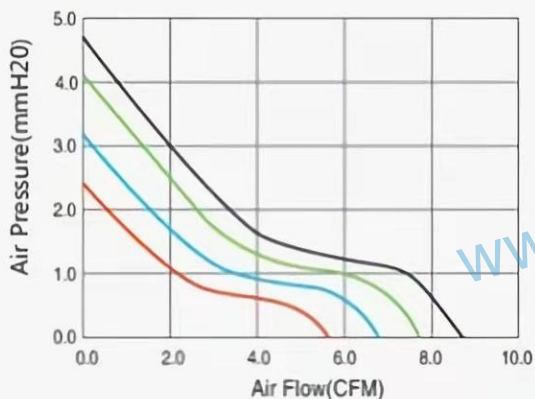

Bearing system :
Sleeve/Hydraulic/Ball

Housing/Impeller :
Plastic Material UL94V-0 PBT

Expectancy Life:
50000 hours at 25°C-Ball
30000 hours at 25°C-Sleeve

Operating Temperature:
Sleeve bearing -10°C~70°C
Ball bearing -40°C~75°C

Weight: 14.1g



Model (型号)	Voltage (电压)	Operating Voltage (电压范围)	Current (电流)	Speed (转速)	Air Flow (风量)	Air Pressure (风压)	Noise (噪音)
	VDC	VDC	Amp	RPM	CFM	mmH ₂ O	dB-A
XA4010B(S)05L	5	4.3-5.4	0.11	5500	5.97	2.5	28.5
XA4010B(S)05M			0.12	6500	6.78	3.1	34.0
XA4010B(S)05H			0.15	7500	7.80	4.1	37.5
XA4010B(S)05X			0.19	8000	8.23	4.7	39.6
XA4010B(S)12L	12	7.0-13.5	0.08	5500	5.97	2.5	28.5
XA4010B(S)12M			0.11	6500	6.78	3.1	34.0
XA4010B(S)12H			0.15	7500	7.80	4.1	37.5
XA4010B(S)12X			0.19	8000	8.23	4.7	39.6



4015

 Size: 40x40x15mm

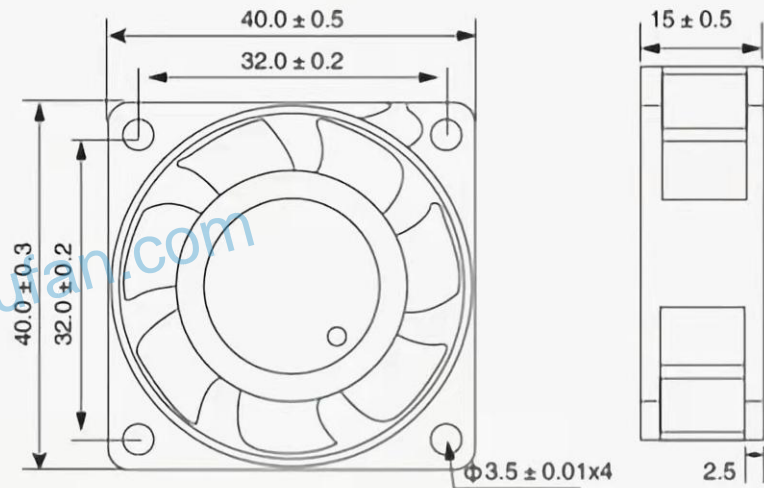
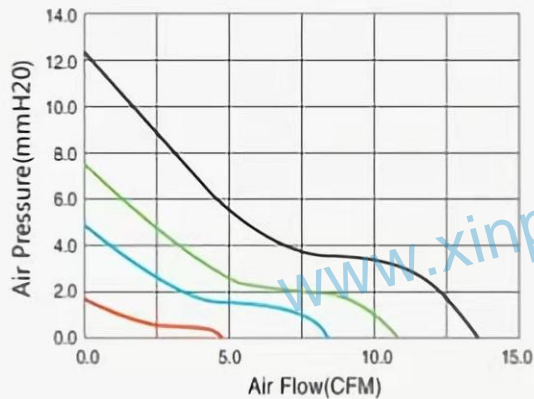
Bearing system :
Sleeve/Hydraulic/Ball

Housing/Impeller :
Plastic Material UL94V-0 PBT

Expectancy Life:
50000 hours at 25°C-Ball
30000 hours at 25°C-Sleeve

Operating Temperature:
Sleeve bearing -10°C~70°C
Ball bearing -40°C~75°C

Weight: 24.5g



Model (型号)	Voltage (电压)	Operating Voltage (电压范围)	Current (电流)	Speed (转速)	Air Flow (风量)	Air Pressure (风压)	Noise (噪音)
	VDC	VDC	Amp	RPM	CFM	mmH ₂ O	dB-A
XA4015B(S)05L	5	3.6-6.8	0.12	4000	4.72	1.81	23.8
XA4015B(S)05M			0.2	6000	7.56	4.31	29.5
XA4015B(S)12L	12	7.0-13.5	0.05	4000	4.72	1.81	23.9
XA4015B(S)12M			0.10	6000	7.56	4.31	29.5
XA4015B(S)12H			0.14	8000	10.06	7.59	37.5
XA4015B(S)12X			0.19	10000	13.01	11.58	41.0
XA4015B(S)24L	24	18.0-26.5	0.03	4000	4.72	1.81	23.9
XA4015B(S)24M			0.05	6000	7.56	4.31	29.5
XA4015B(S)24H			0.07	8000	10.06	7.59	37.5
XA4015B(S)24X			0.10	10000	13.01	11.58	41.0

4020

 Size: 40x40x20mm

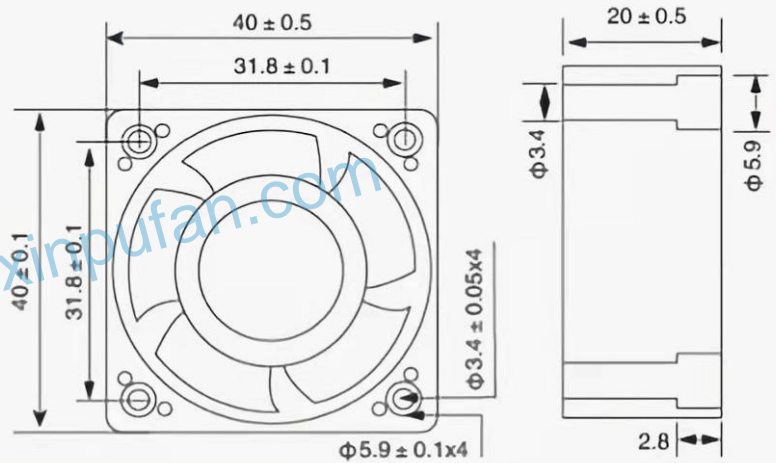
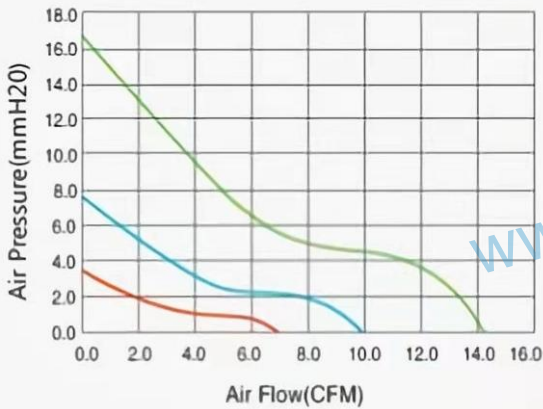

Bearing system :
Sleeve/Hydraulic/Ball

Housing/Impeller :
Plastic Material UL94V-0 PBT

Expectancy Life:
50000 hours at 25°C-Ball
30000 hours at 25°C-Sleeve

Operating Temperature:
Sleeve bearing -10°C~70°C
Ball bearing -40°C~75°C

Weight: 25.2g



Model (型号)	Voltage (电压)	Operating Voltage (电压范围)	Current (电流)	Speed (转速)	Air Flow (风量)	Air Pressure (风压)	Noise (噪音)
	VDC	VDC	Amp	RPM	CFM	mmH ₂ O	dB-A
XA4020B(S)05L	5	3.6-6.8	0.4	5000	5.51	2.88	25.7
XA4020B(S)05M			0.5	6000	6.73	3.33	28.0
XA4020B(S)05H			0.6	7000	7.82	5.42	32.8
XA4020B(S)12L	12	7.0-13.5	0.04	6000	6.73	3.33	28.0
XA4020B(S)12M			0.07	8000	9.11	7.63	34.8
XA4020B(S)12H			0.16	12000	14.01	16.67	45.0
XA4020B(S)24L	24	18.0-26.5	0.02	6000	6.73	3.33	28.0
XA4020B(S)24M			0.04	8000	9.11	7.63	34.8
XA4020B(S)24H			0.08	12000	14.01	16.67	45.0



4028

 Size: 40x40x28mm

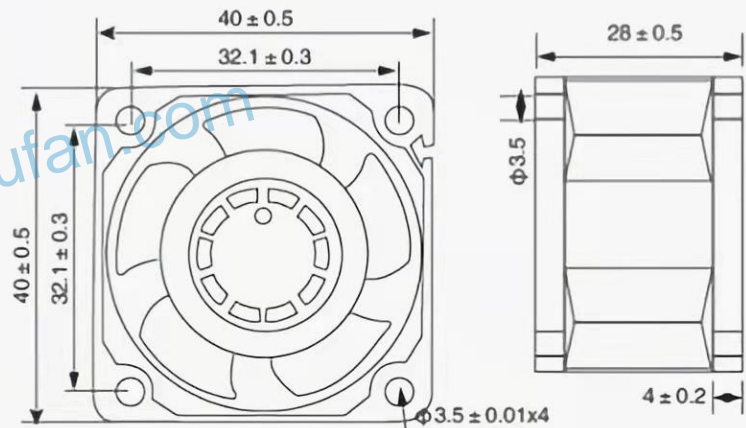
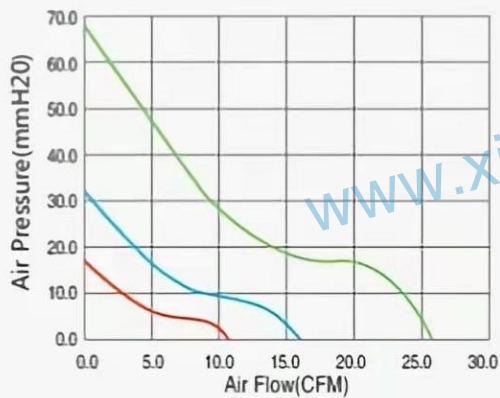
Bearing system :
Sleeve/Hydraulic/Ball

Housing/Impeller :
Plastic Material UL94V-0 PBT

Expectancy Life:
50000 hours at 25°C-Ball
30000 hours at 25°C-Sleeve

Operating Temperature:
Sleeve bearing -10°C~70°C
Ball bearing -40°C~75°C

Weight: 29.8g



Model (型号)	Voltage (电压)	Operating Voltage (电压范围)	Current (电流)	Speed (转速)	Air Flow (风量)	Air Pressure (风压)	Noise (噪音)
	VDC	VDC	Amp	RPM	CFM	mmH ₂ O	dB-A
XA4028B(S)12L	12	8.0-13.5	0.15	10000	11.47	16.07	43.3
XA4028B(S)12M			0.3	14000	16.21	30.08	54.6
XA4028B(S)12H			0.6	22000	25.70	69.17	63.0
XA4028B(S)24L	24	18.0-26.5	0.08	10000	11.47	16.07	43.3
XA4028B(S)24M			0.15	14000	16.21	30.08	54.6
XA4028B(S)24H			0.3	22000	25.70	69.17	63.0

4510

Size: 45x45x10mm



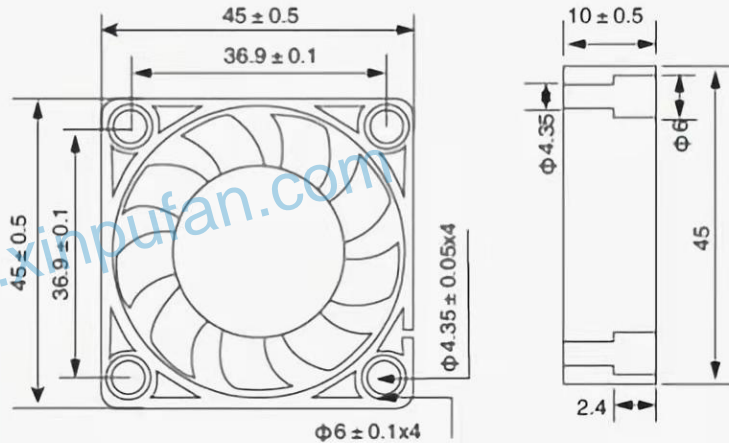
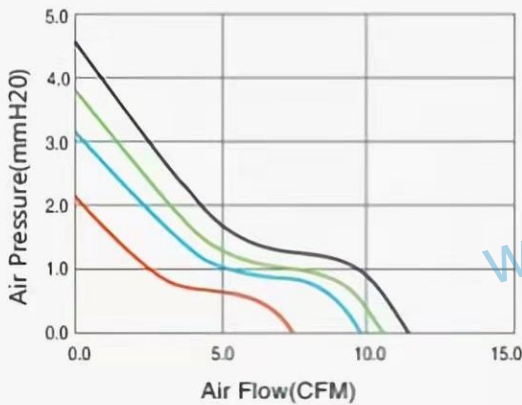
Bearing system :
Sleeve/Hydraulic/Ball

Housing/Impeller :
Plastic Material UL94V-0 PBT

Expectancy Life:
50000 hours at 25°C-Ball
30000 hours at 25°C-Sleeve

Operating Temperature:
Sleeve bearing -10°C~70°C
Ball bearing -40°C~75°C

Weight: 17.9g



Model (型号)	Voltage (电压)	Operating Voltage (电压范围)	Current (电流)	Speed (转速)	Air Flow (风量)	Air Pressure (风压)	Noise (噪音)
	VDC	VDC	Amp	RPM	CFM	mmH ₂ O	dB-A
XA4510B(S)05L	5	3.6-6.8	0.15	5000	7.37	2.19	33.2
XA4510B(S)05H			0.27	6500	10.24	3.82	40.2
XA4510B(S)12L	12	7.0-13.5	0.06	5000	7.37	2.19	33.2
XA4510B(S)12M			0.08	6000	9.64	3.18	38.5
XA4510B(S)12H			0.11	6500	10.24	3.82	40.2
XA4510B(S)12X			0.13	7000	11.25	4.49	42.0
XA4510B(S)24L	24	18.0-26.5	0.03	5000	7.37	2.19	33.2
XA4510B(S)24M			0.04	6000	9.64	3.18	38.5
XA4510B(S)24H			0.06	6500	10.24	3.82	40.2
XA4510B(S)24X			0.07	7000	11.25	4.49	42.0



5010

 Size: 50x50x10mm

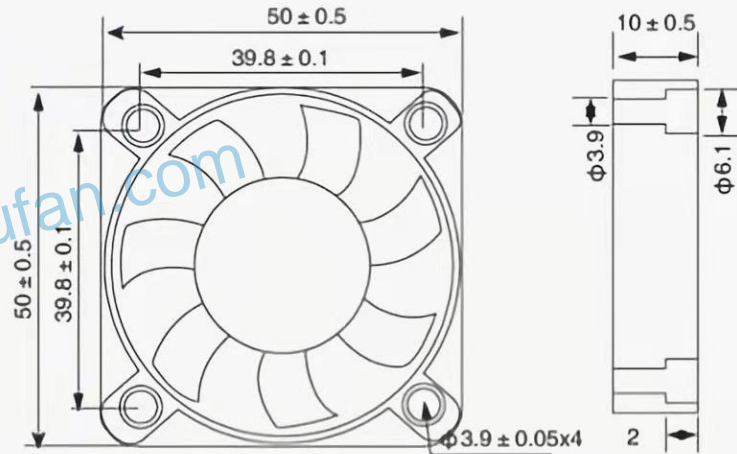
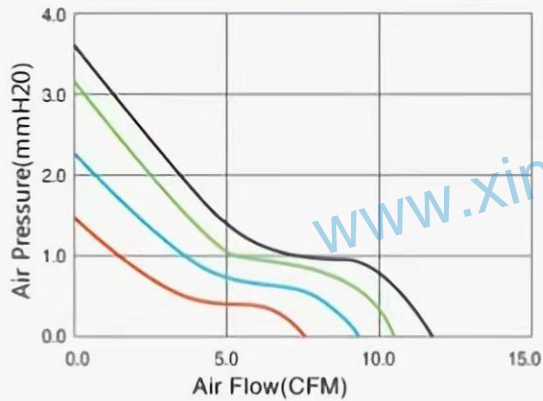
Bearing system :
Sleeve/Hydraulic/Ball

Housing/Impeller :
Plastic Material UL94V-0 PBT

Expectancy Life:
50000 hours at 25°C-Ball
30000 hours at 25°C-Sleeve

Operating Temperature:
Sleeve bearing -10°C~70°C
Ball bearing -40°C~75°C

Weight: 16.9g



Model (型号)	Voltage (电压)	Operating Voltage (电压范围)	Current (电流)	Speed (转速)	Air Flow (风量)	Air Pressure (风压)	Noise (噪音)
	VDC	VDC	Amp	RPM	CFM	mmH ₂ O	dB-A
XA5010B(S)05L	5	3.6-6.8	0.08	4000	7.74	1.54	25.0
XA5010B(S)05M			0.12	5000	9.66	2.34	30.0
XA5010B(S)05H			0.15	6000	11.79	3.13	33.2
XA5010B(S)12L	12	7.0-13.5	0.03	4000	7.74	1.54	25.0
XA5010B(S)12M			0.05	5000	9.66	2.34	30.0
XA5010B(S)12H			0.06	6000	11.79	3.13	33.2
XA5010B(S)12X			0.08	6500	12.47	3.68	36.5
XA5010B(S)24H	24	18.0-26.5	0.03	6000	11.79	3.13	33.2
XA5010B(S)24X			0.04	6500	12.47	3.68	36.5

5015

Size: 50x50x15mm



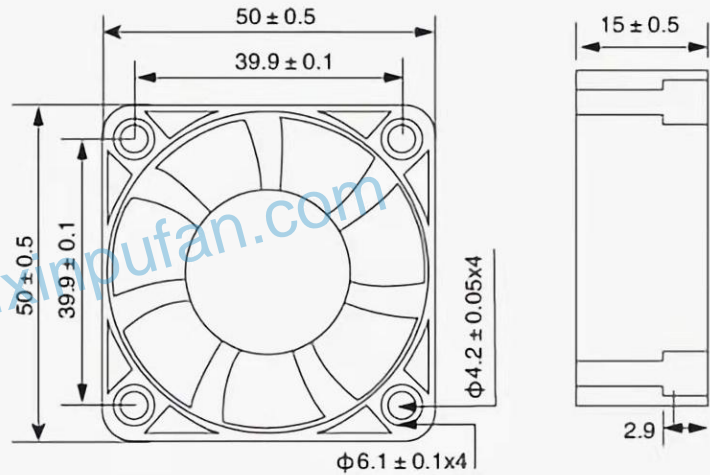
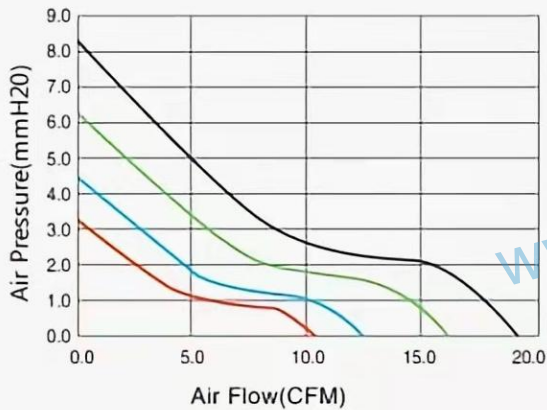
Bearing system :
Sleeve/Hydraulic/Ball

Housing/Impeller :
Plastic Material UL94V-0 PBT

Expectancy Life:
50000 hours at 25°C-Ball
30000 hours at 25°C-Sleeve

Operating Temperature:
Sleeve bearing -10°C~70°C
Ball bearing -40°C~75°C

Weight: 26.4g



Model (型号)	Voitage (电压)	Operating Voitage (电压范围)	Current (电流)	Speed (转速)	Air Flow (风量)	Air Pressure (风压)	Noise (噪音)
	VDC	VDC	Amp	RPM	CFM	mmH ₂ O	dB-A
XA5015B(S)05L	5	3.6-6.8	0.16	4300	10.64	3.02	29.3
XA5015B(S)05M			0.21	5300	13.53	4.41	35.2
XA5015B(S)12L	12	7.0-13.5	0.10	4300	10.64	3.02	29.3
XA5015B(S)12M			0.12	5300	13.53	4.41	35.2
XA5015B(S)12H			0.21	6400	16.33	6.10	39.5
XA5015B(S)12X			0.26	7500	18.68	8.03	44.5
XA5015B(S)24L	24	18.0-26.5	0.05	4300	10.64	3.02	29.3
XA5015B(S)24M			0.08	5300	13.53	4.41	35.2
XA5015B(S)24H			0.10	6400	16.33	6.10	39.5
XA5015B(S)24X			0.15	7500	18.68	8.03	44.5



5020

 Size: 50x50x20mm

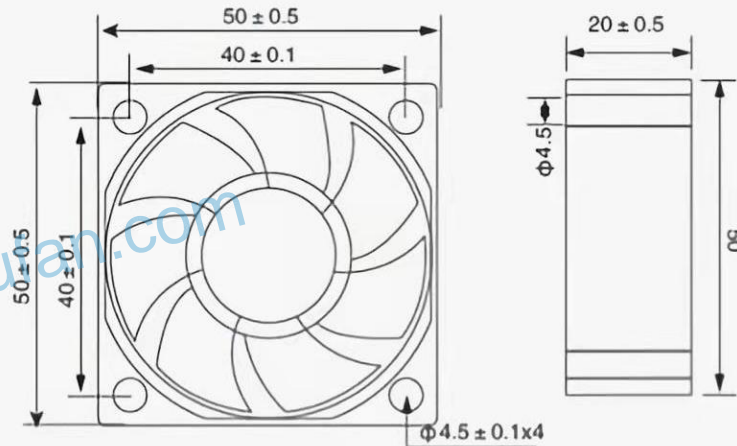
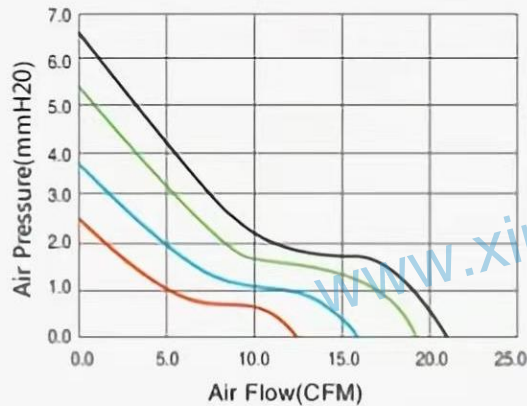
Bearing system :
Sleeve/Hydraulic/Ball

Housing/Impeller :
Plastic Material UL94V-0 PBT

Expectancy Life:
50000 hours at 25°C-Ball
30000 hours at 25°C-Sleeve

Operating Temperature:
Sleeve bearing -10°C~70°C
Ball bearing -40°C~75°C

Weight: 31.6g



Model (型号)	Voitage (电压)	Operating Voitage (电压范围)	Current (电流)	Speed (转速)	Air Flow (风量)	Air Pressure (风压)	Noise (噪音)
	VDC	VDC	Amp	RPM	CFM	mmH ₂ O	dB-A
XA5020B(S)05L	5	3.6-6.8	0.18	4000	12.18	2.62	28.2
XA5020B(S)05M			0.22	4800	15.37	3.82	33.2
XA5020B(S)05H			0.40	5800	18.09	5.34	36.8
XA5020B(S)12L	12	7.0-13.5	0.11	4000	12.18	2.62	28.2
XA5020B(S)12M			0.14	4800	15.37	3.82	33.2
XA5020B(S)12H			0.22	5800	18.09	5.34	36.8
XA5020B(S)12X			0.28	6500	20.78	6.86	41.5
XA5020B(S)24L	24	18.0-26.5	0.05	4000	12.18	2.62	28.2
XA5020B(S)24M			0.07	4800	15.37	3.82	33.2
XA5020B(S)24H			0.11	5800	18.09	5.34	36.8
XA5020B(S)24X			0.14	6500	20.78	6.86	41.5

6010

Size: 60x60x10mm



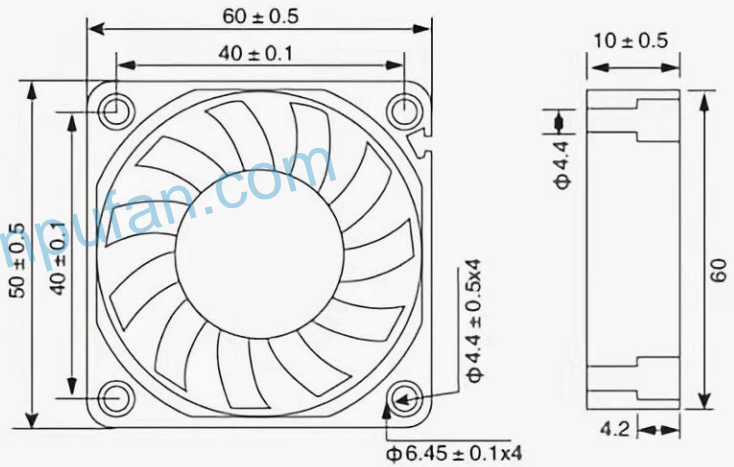
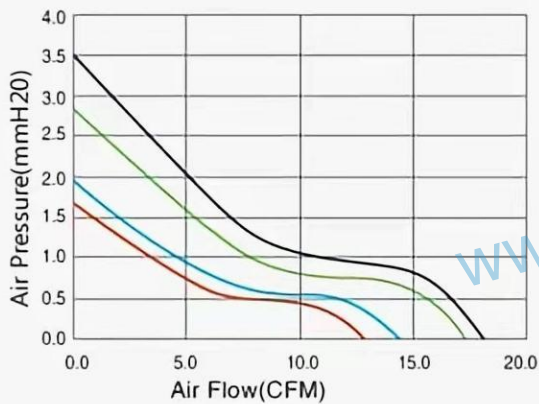
Bearing system :
Sleeve/Hydraulic/Ball

Housing/Impeller :
Plastic Material UL94V-0 PBT

Expectancy Life:
50000 hours at 25°C-Ball
30000 hours at 25°C-Sleeve

Operating Temperature:
Sleeve bearing -10°C~70°C
Ball bearing -40°C~75°C

Weight: 20.4g



Model (型号)	Voltage (电压)	Operating Voltage (电压范围)	Current (电流)	Speed (转速)	Air Flow (风量)	Air Pressure (风压)	Noise (噪音)
	VDC	VDC	Amp	RPM	CFM	mmH ₂ O	dB-A
XA6010B(S)05L	5	4.3-5.4	0.10	3300	12.42	1.54	27.5
XA6010B(S)05L			0.15	3700	14.64	2.09	31.6
XA6010B(S)12L	12	7.0-13.5	0.04	3300	12.42	1.54	27.5
XA6010B(S)12M			0.06	3700	14.64	2.09	31.6
XA6010B(S)12H			0.11	4300	16.01	2.55	35.0
XA6010B(S)12X			0.15	5000	18.32	3.42	38.8
XA6010B(S)24H	24	18.0-26.5	0.06	4300	16.01	2.55	35.0
XA6010B(S)24X			0.08	5000	18.32	3.42	38.8



6015

 Size: 60x60x15mm

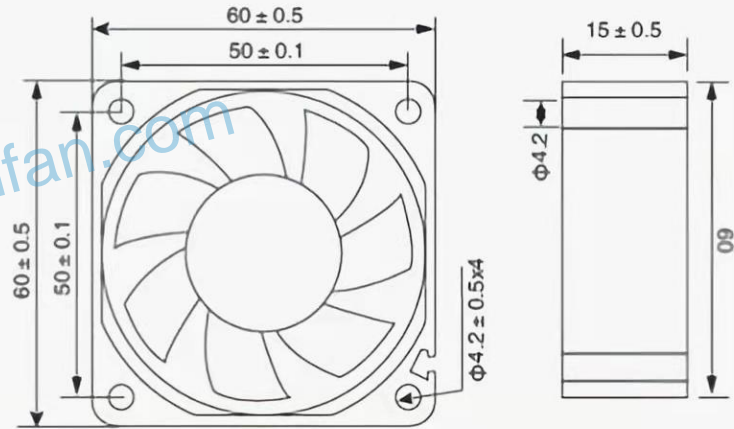
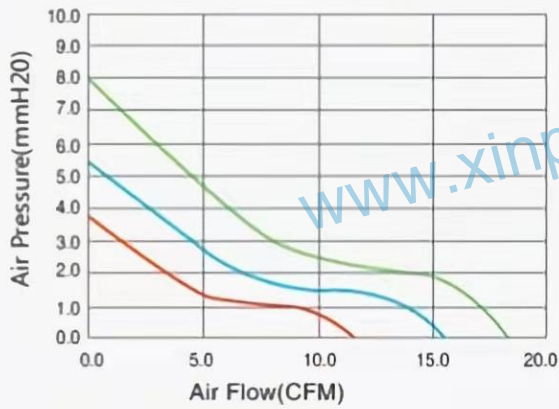
Bearing system :
Sleeve/Hydraulic/Ball

Housing/Impeller :
Plastic Material UL94V-0 PBT

Expectancy Life:
50000 hours at 25°C-Ball
30000 hours at 25°C-Sleeve

Operating Temperature:
Sleeve bearing -10°C~70°C
Ball bearing -40°C~75°C

Weight: 40g



Model (型号)	Voltage (电压)	Operating Voltage (电压范围)	Current (电流)	Speed (转速)	Air Flow (风量)	Air Pressure (风压)	Noise (噪音)
	VDC	VDC	Amp	RPM	CFM	mmH ₂ O	dB-A
XA6015B(S)05L	5	3.6-6.8	0.12	4000	12.46	3.84	29.7
XA6015B(S)12L	12	7.0-13.5	0.05	4000	12.46	3.84	29.7
XA6015B(S)12M			0.07	5000	15.77	5.66	38.3
XA6015B(S)12H			0.09	6000	18.44	7.83	39.8
XA6015B(S)24M	24	18.0-26.5	0.04	5000	15.77	5.66	38.3
XA6015B(S)24H			0.05	6000	18.44	7.83	39.3

6020

 Size: 60x60x20mm

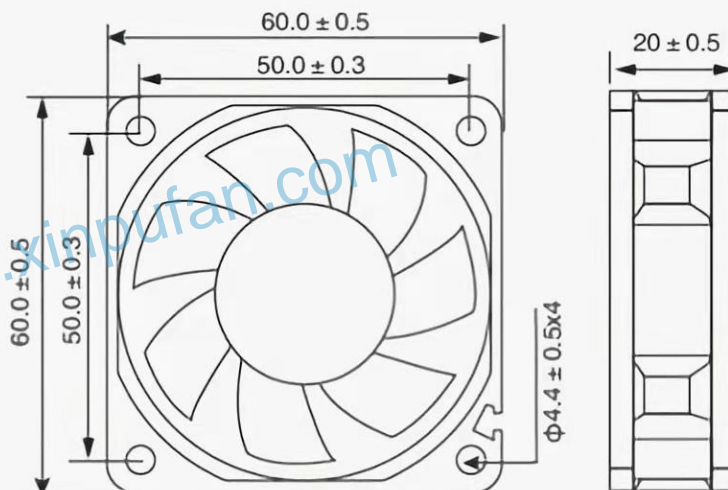
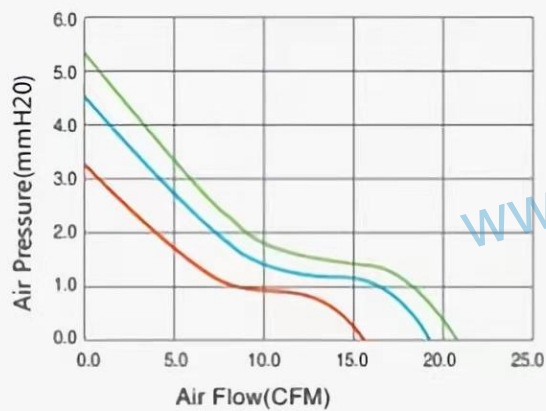

Bearing system :
Sleeve/Hydraulic/Ball

Housing/Impeller :
Plastic Material UL94V-0 PBT

Expectancy Life:
50000 hours at 25°C-Ball
30000 hours at 25°C-Sleeve

Operating Temperature:
Sleeve bearing -10°C~70°C
Ball bearing -40°C~75°C

Weight: 47.3g



Model (型号)	Voltage (电压)	Operating Voltage (电压范围)	Current (电流)	Speed (转速)	Air Flow (风量)	Air Pressure (风压)	Noise (噪音)
	VDC	VDC	Amp	RPM	CFM	mmH ₂ O	dB-A
XA6020B(S)05L	5	3.6-6.8	0.12	3500	16.52	3.18	33.5
XA6020B(S)12L	12	7.0-13.5	0.05	3500	16.52	3.18	33.5
XA6020B(S)12M			0.07	4000	19.47	4.29	36.8
XA6020B(S)12H			0.10	4500	21.15	5.32	40.9
XA6020B(S)24L	24	18.0-26.5	0.03	3500	16.52	3.18	33.5
XA6020B(S)24M			0.04	4000	19.47	4.29	36.8
XA6020B(S)24H			0.05	4500	21.15	5.32	40.9



6025

 Size: 60x60x25mm

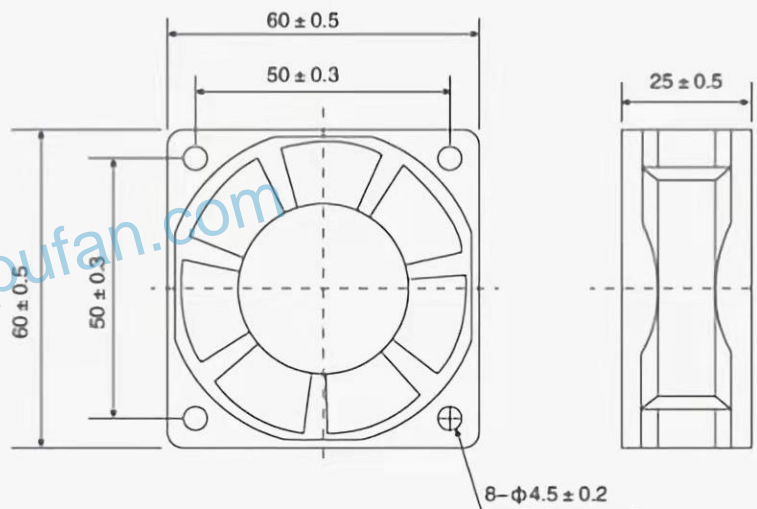
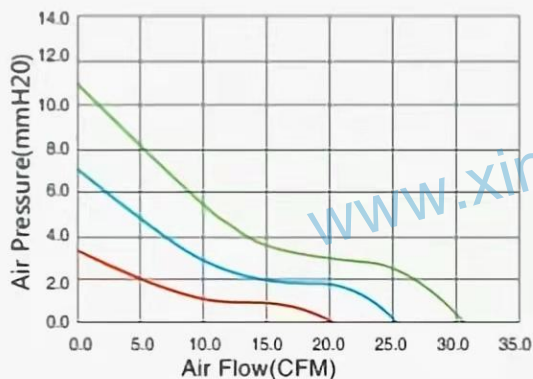
Bearing system :
Sleeve/Hydraulic/Ball

Housing/Impeller :
Plastic Material UL94V-0 PBT

Expectancy Life:
50000 hours at 25°C-Ball
30000 hours at 25°C-Sleeve

Operating Temperature:
Sleeve bearing -10°C-70°C
Ball bearing -40°C~75°C

Weight: 61.2g



Model (型号)	Voltage (电压)	Operating Voltage (电压范围)	Current (电流)	Speed (转速)	Air Flow (风量)	Air Pressure (风压)	Noise (噪音)
	VDC	VDC	Amp	RPM	CFM	mmH ₂ O	dB-A
XA6025B(S)12L	12	7.0-13.5	0.17	4000	20.67	3.56	33.9
XA6025B(S)12M			0.23	5000	25.69	7.18	39.2
XA6025B(S)12H			0.42	6000	31.21	10.39	45.4
XA6025B(S)24L	24	18.0-26.5	0.10	4000	20.67	3.56	33.9
XA6025B(S)24M			0.12	5000	25.69	7.18	39.2
XA6025B(S)24H			0.18	6000	31.21	10.39	45.4
XA6025B(S)48L	48	36.0-54.0	0.05	4000	20.67	3.56	33.9
XA6025B(S)48M			0.07	5000	25.69	7.18	39.2
XA6025B(S)48H			0.10	6000	31.21	10.39	45.4



6038

 Size: 60x60x38mm

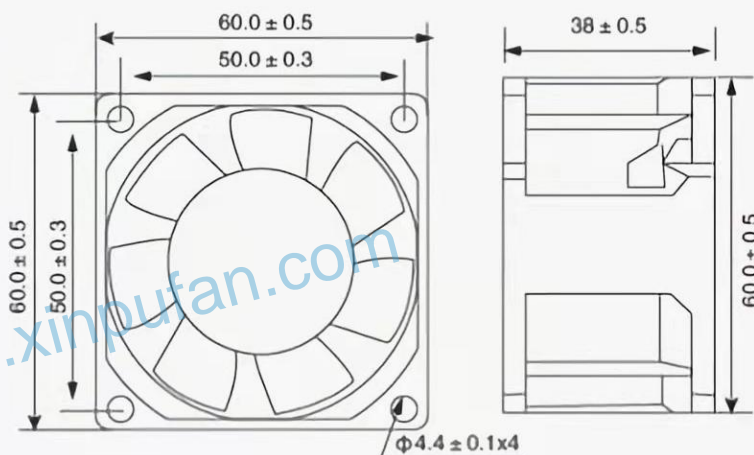
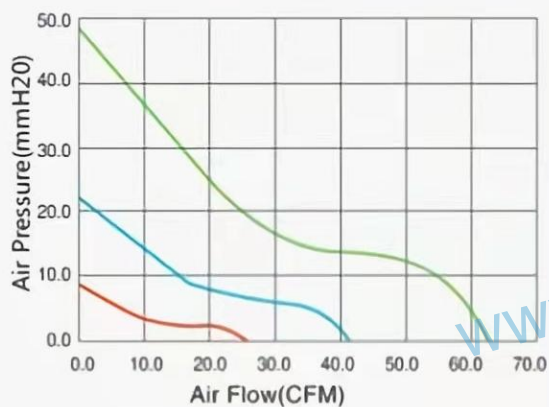
Bearing system :
Sleeve/Hydraulic/Ball

Housing/Impeller :
Plastic Material UL94V-0 PBT

Expectancy Life:
50000 hours at 25°C-Ball
30000 hours at 25°C-Sleeve

Operating Temperature:
Sleeve bearing -10°C~70°C
Ball bearing -40°C~75°C

Weight: 104g



Model (型号)	Voitage (电压)	Operating Voitage (电压范围)	Current (电流)	Speed (转速)	Air Flow (风量)	Air Pressure (风压)	Noise (噪音)
	VDC	VDC	Amp	RPM	CFM	mmH ₂ O	dB-A
XA6038B(S)12L	12	8.0-13.5	0.15	5000	25.06	8.10	39.6
XA6038B(S)12M			0.58	8000	41.34	21.65	52.3
XA6038B(S)12H			1.5	12000	63.56	48.53	62.5
XA6038B(S)24L	24	18.0-26.5	0.07	5000	25.06	8.10	39.6
XA6038B(S)24M			0.32	8000	41.34	21.65	52.3
XA6038B(S)24H			0.80	12000	63.56	48.53	62.5
XA6038B(S)48L	48	36.0-54.0	0.06	5000	25.06	8.10	39.6
XA6038B(S)48M			0.14	8000	41.34	21.65	52.3
XA6038B(S)48H			0.41	12000	63.56	48.53	62.5



7010

 Size: 70x70x10mm

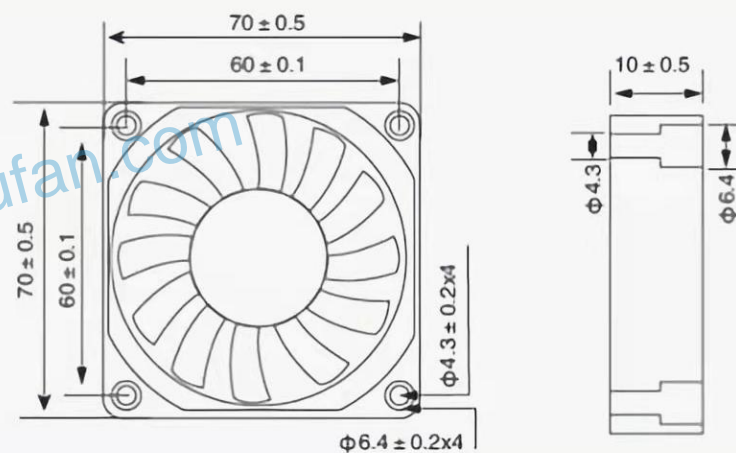
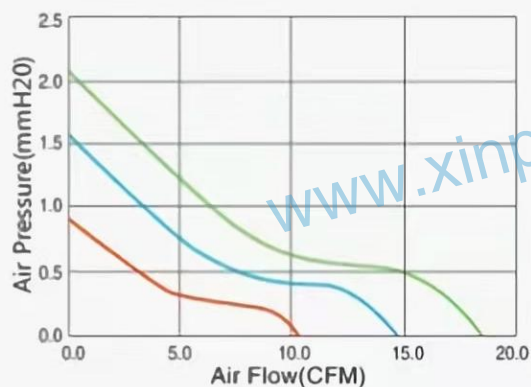
Bearing system :
Sleeve/Hydraulic/Ball

Housing/Impeller :
Plastic Material UL94V-0 PBT

Expectancy Life:
50000 hours at 25°C-Ball
30000 hours at 25°C-Sleeve

Operating Temperature:
Sleeve bearing -10°C~70°C
Ball bearing -40°C~75°C

Weight: 27.8g



Model (型号)	Voltage (电压)	Operating Voltage (电压范围)	Current (电流)	Speed (转速)	Air Flow (风量)	Air Pressure (风压)	Noise (噪音)
	VDC	VDC	Amp	RPM	CFM	mmH ₂ O	dB-A
XA7010B(S)05L	5	3.6-6.8	0.21	2000	10.31	0.90	23.4
XA7010B(S)05M			0.33	2500	14.71	1.55	27.2
XA7010B(S)12L	12	7.0-13.5	0.20	2000	10.31	0.90	23.4
XA7010B(S)12M			0.14	2500	14.71	1.55	27.2
XA7010B(S)12H			0.10	3000	18.46	2.07	30.9
XA7010B(S)24L	24	18.0-26.5	0.05	2000	10.31	0.90	23.4
XA7010B(S)24M			0.07	2500	14.71	1.55	27.2
XA7010B(S)24H			0.10	3000	18.46	2.07	30.9

7015

 Size: 70x70x15mm

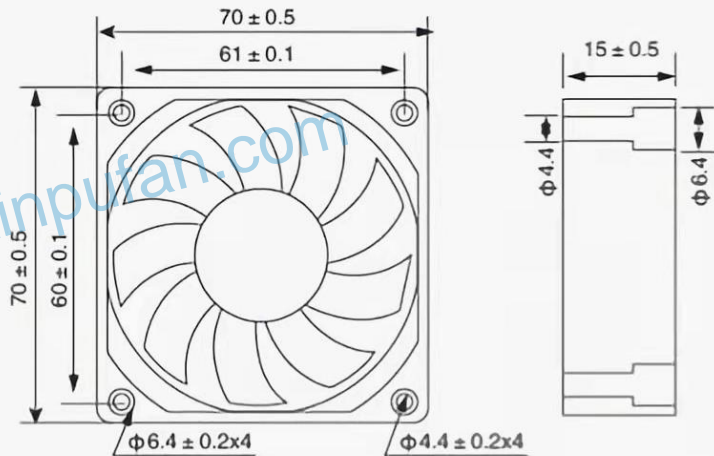
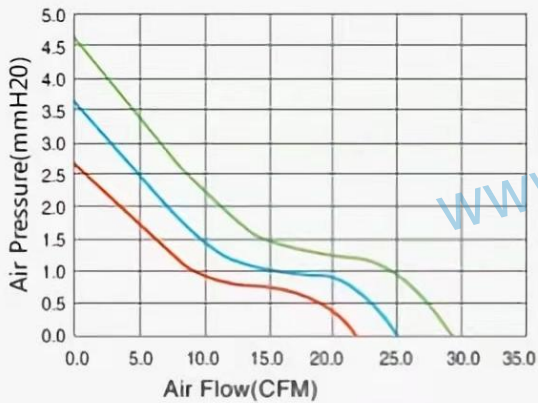
Bearing system :
Sleeve/Hydraulic/Ball

Housing/Impeller :
Plastic Material UL94V-0 PBT

Expectancy Life:
50000 hours at 25°C-Ball
30000 hours at 25°C-Sleeve

Operating Temperature:
Sleeve bearing -10°C~70°C
Ball bearing -40°C~75°C

Weight: 43.5g



Model (型号)	Voitage (电压)	Operating Voitage (电压范围)	Current (电流)	Speed (转速)	Air Flow (风量)	Air Pressure (风压)	Noise (噪音)
	VDC	VDC	Amp	RPM	CFM	mmH ₂ O	dB-A
XA7015B(S)05L	5	3.6-6.8	0.20	3500	22.52	2.91	33.5
XA7015B(S)12L	12	7.0-13.5	0.08	3500	22.52	2.91	33.5
XA7015B(S)12M			0.12	4000	24.65	3.69	35.3
XA7015B(S)12H			0.17	4500	28.97	4.66	40.5
XA7015B(S)24L	24	18.0-26.5	0.04	3500	22.52	2.91	33.5
XA7015B(S)24M			0.06	4000	24.65	3.69	35.3
XA7015B(S)24H			0.09	4500	28.97	4.66	40.5



7020

 Size: 70x70x20mm

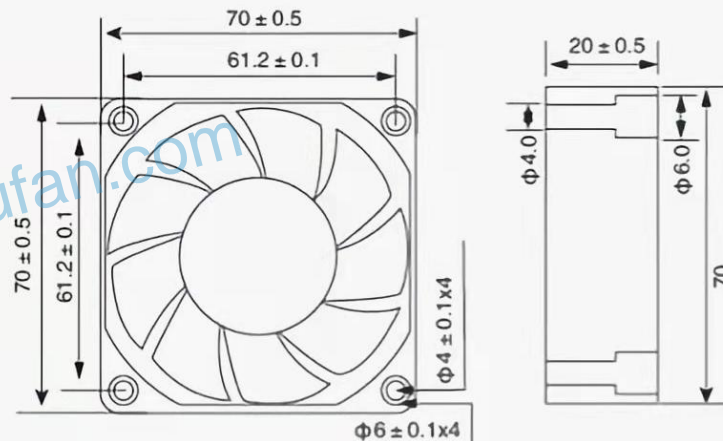
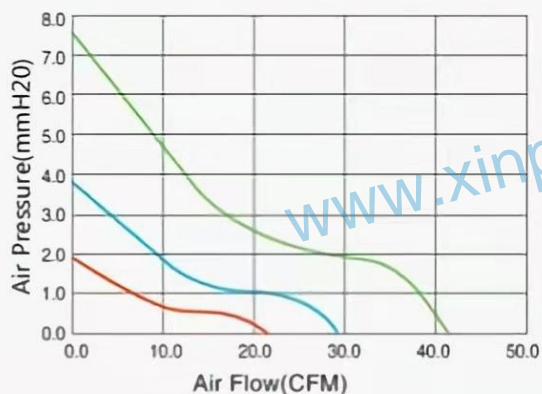
Bearing system :
Sleeve/Hydraulic/Ball

Housing/Impeller :
Plastic Material UL94V-0 PBT

Expectancy Life:
50000 hours at 25°C-Ball
30000 hours at 25°C-Sleeve

Operating Temperature:
Sleeve bearing -10°C~70°C
Ball bearing -40°C~75°C

Weight: 59.3g



Model (型号)	Voltage (电压)	Operating Voltage (电压范围)	Current (电流)	Speed (转速)	Air Flow (风量)	Air Pressure (风压)	Noise (噪音)
	VDC	VDC	Amp	RPM	CFM	mmH ₂ O	dB-A
XA7020B(S)12L	12	8.0-13.5	0.12	2500	21.36	1.91	26.3
XA7020B(S)12M			0.24	3500	29.55	3.81	38.8
XA7020B(S)12H			0.48	5000	42.09	7.71	44.3
XA7020B(S)24L	24	18.0-26.5	0.06	2500	21.36	1.91	26.3
XA7020B(S)24M			0.13	3500	29.55	3.81	38.8
XA7020B(S)24H			0.24	5000	42.09	7.71	44.3



7025

Size: 70x70x25mm

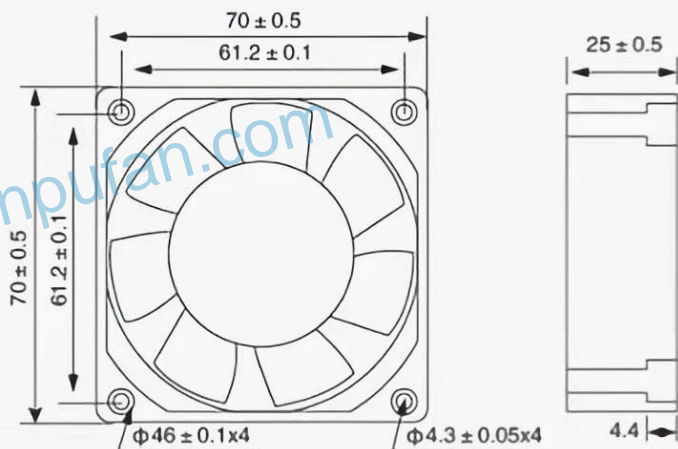
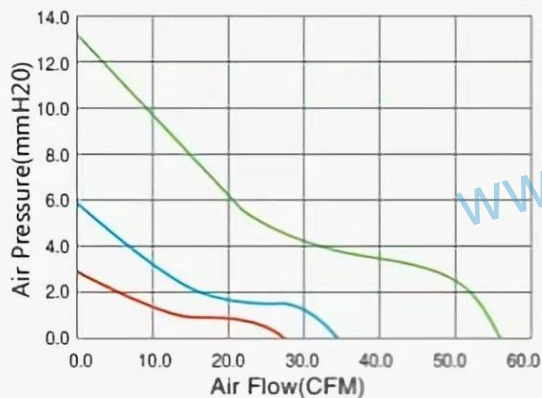
Bearing system :
Sleeve/Hydraulic/Ball

Housing/Impeller :
Plastic Material UL94V-0 PBT

Expectancy Life:
50000 hours at 25°C-Ball
30000 hours at 25°C-Sleeve

Operating Temperature:
Sleeve bearing -10°C~70°C
Ball bearing -40°C~75°C

Weight: 67.3g



Model (型号)	Voltage (电压)	Operating Voltage (电压范围)	Current (电流)	Speed (转速)	Air Flow (风量)	Air Pressure (风压)	Noise (噪音)
	VDC	VDC	Amp	RPM	CFM	mmH ₂ O	dB-A
XA7025B(S)12L	12	7.0-13.5	0.14	3000	26.05	3.34	30.3
XA7025B(S)12M			0.22	4000	34.75	5.82	38.6
XA7025B(S)12H			0.68	6000	54.55	13.43	53.6
XA7025B(S)24L	24	18.0-26.5	0.07	3000	26.05	3.34	30.3
XA7025B(S)24M			0.11	4000	34.75	5.82	38.6
XA7025B(S)24H			0.30	6000	54.55	13.43	53.6

8010

 Size: 80x80x10mm

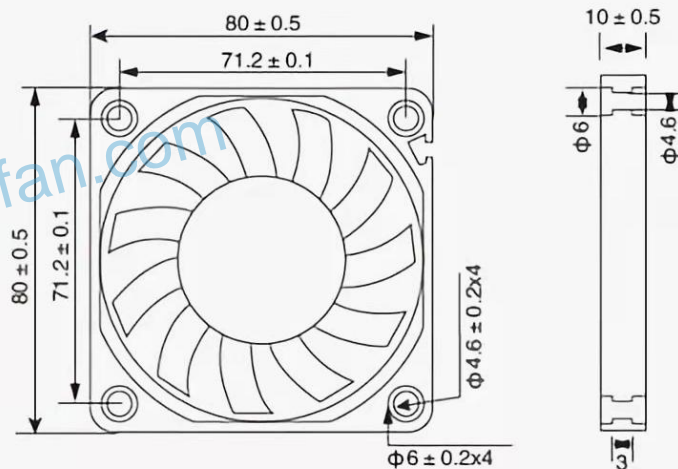
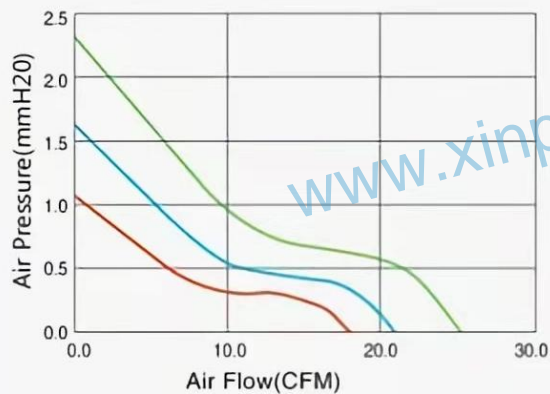

Bearing system :
Sleeve/Hydraulic/Ball

Housing/Impeller :
Plastic Material UL94V-0 PBT

Expectancy Life:
50000 hours at 25°C-Ball
30000 hours at 25°C-Sleeve

Operating Temperature:
Sleeve bearing -10°C~70°C
Ball bearing -40°C~75°C

Weight: 38.3g



Model (型号)	Voltage (电压)	Operating Voltage (电压范围)	Current (电流)	Speed (转速)	Air Flow (风量)	Air Pressure (风压)	Noise (噪音)
	VDC	VDC	Amp	RPM	CFM	mmH ₂ O	dB-A
XA8010B(S)12L	12	7.0-13.5	0.07	2500	18.65	1.15	31.3
XA8010B(S)12M			0.11	3000	21.70	1.58	33.5
XA8010B(S)12H			0.22	3500	26.59	2.34	36.3
XA8010B(S)24L	24	18.0-26.5	0.04	2500	18.65	1.15	31.3
XA8010B(S)24M			0.06	3000	21.70	1.58	33.5
XA8010B(S)24H			0.11	3500	26.59	2.34	36.3



8015

 Size: 80x80x15mm

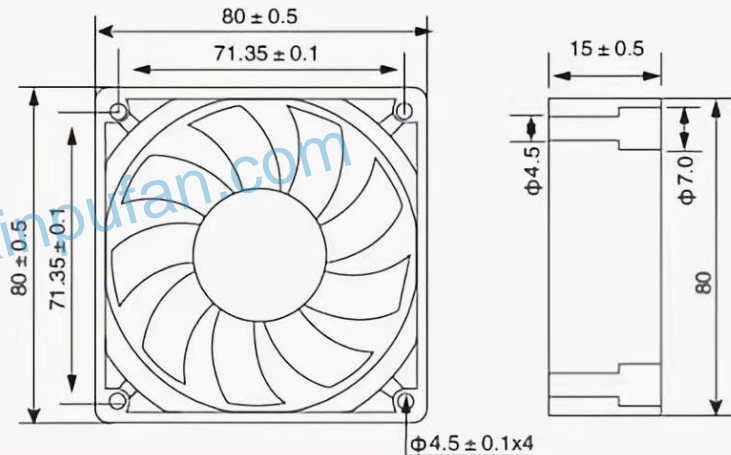
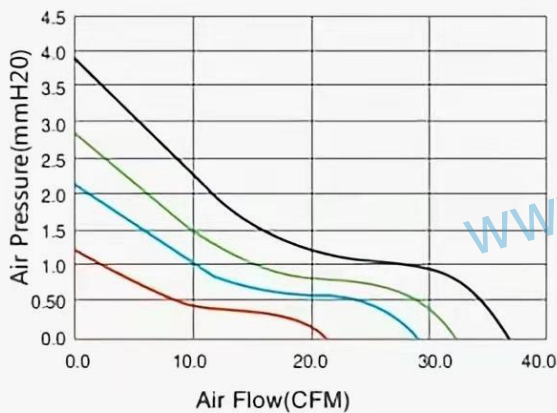
Bearing system :
Sleeve/Hydraulic/Ball

Housing/Impeller :
Plastic Material UL94V-0 PBT

Expectancy Life:
50000 hours at 25°C-Ball
30000 hours at 25°C-Sleeve

Operating Temperature:
Sleeve bearing -10°C~70°C
Ball bearing -40°C~75°C

Weight: 48.8g



Model (型号)	Voitage (电压)	Operating Voitage (电压范围)	Current (电流)	Speed (转速)	Air Flow (风量)	Air Pressure (风压)	Noise (噪音)
	VDC	VDC	Amp	RPM	CFM	mmH ₂ O	dB-A
XA8015B(S)05L	5	3.6-6.8	0.10	2000	21.59	1.28	24.0
XA8015B(S)12L	12	7.0-13.5	0.04	2000	21.59	1.28	24.0
XA8015B(S)12M			0.06	2500	27.71	2.07	30.0
XA8015B(S)12H			0.12	3000	32.68	2.84	36.3
XA8015B(S)12X			0.17	3500	37.71	3.70	40.0
XA8015B(S)24M	24	18.0-26.5	0.03	2500	27.71	2.07	30.0
XA8015B(S)24H			0.06	3000	32.68	2.84	36.3
XA8015B(S)24X			0.09	3500	37.71	3.70	40.0

8020

 Size: 80x80x20mm

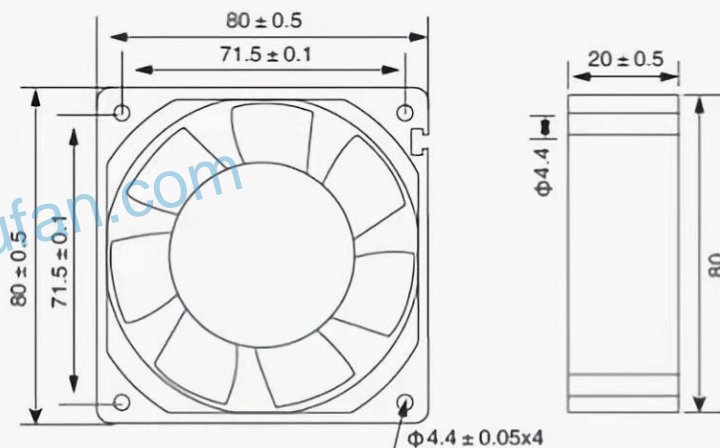
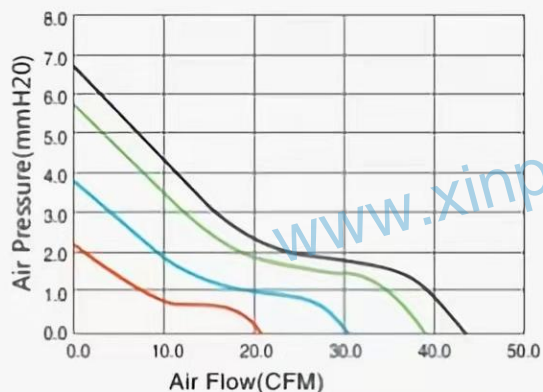

Bearing system :
Sleeve/Hydraulic/Ball

Housing/Impeller :
Plastic Material UL94V-0 PBT

Expectancy Life:
50000 hours at 25°C-Ball
30000 hours at 25°C-Sleeve

Operating Temperature:
Sleeve bearing -10°C~70°C
Ball bearing -40°C~75°C

Weight: 59.5g



Model (型号)	Voltage (电压)	Operating Voltage (电压范围)	Current (电流)	Speed (转速)	Air Flow (风量)	Air Pressure (风压)	Noise (噪音)
	VDC	VDC	Amp	RPM	CFM	mmH ₂ O	dB-A
XA8020B(S)12L	12	7.0-13.5	0.11	2500	21.70	2.01	28.0
XA8020B(S)12M			0.19	3500	30.62	3.72	38.0
XA8020B(S)12H			0.33	4500	39.19	5.80	44.5
XA8020B(S)24L	24	18.0-26.5	0.07	2500	21.70	2.01	28.0
XA8020B(S)24M			0.12	3500	30.62	3.72	38.0
XA8020B(S)24H			0.17	4500	39.19	5.80	44.5
XA8020B(S)24X			0.24	5000	42.67	6.61	47.2
XA8020B(S)48H	48	36.0-54.0	0.08	4500	39.19	5.80	44.5
XA8020B(S)48X			0.12	5000	42.67	6.61	47.2

8025

 Size: 80x80x25mm

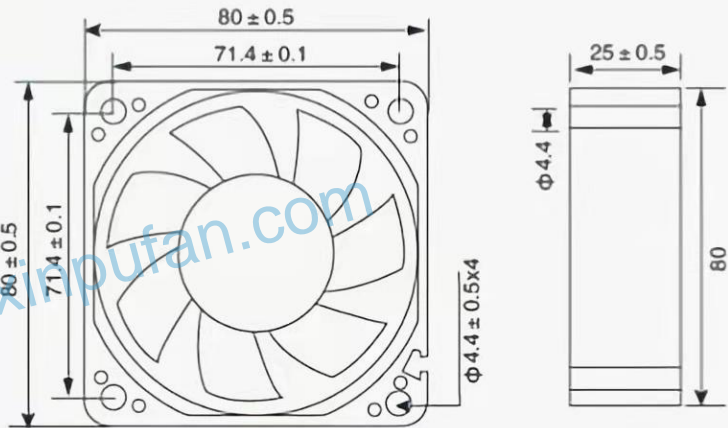
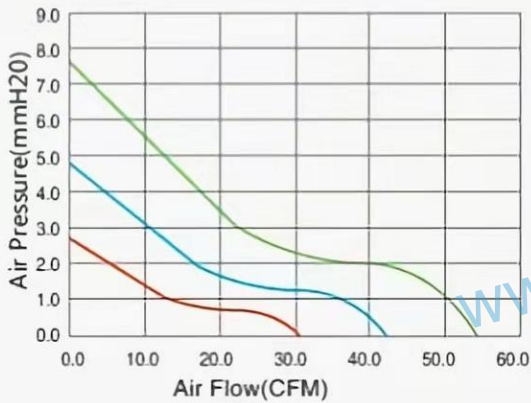

Bearing system :
Sleeve/Hydraulic/Ball

Housing/Impeller :
Plastic Material UL94V-0 PBT

Expectancy Life:
50000 hours at 25°C-Ball
30000 hours at 25°C-Sleeve

Operating Temperature:
Sleeve bearing -10°C~70°C
Ball bearing -40°C~75°C

Weight: 72g



Model (型号)	Voltage (电压)	Operating Voltage (电压范围)	Current (电流)	Speed (转速)	Air Flow (风量)	Air Pressure (风压)	Noise (噪音)
	VDC	VDC	Amp	RPM	CFM	mmH ₂ O	dB-A
XA8025B(S)12L	12	7.0-13.5	0.14	2500	30.54	2.64	28.9
XA8025B(S)12M			0.26	3500	42.37	4.80	38.5
XA8025B(S)12H			0.32	4000	48.53	6.12	41.0
XA8025B(S)24L	24	18.0-26.5	0.07	2500	30.54	2.64	28.9
XA8025B(S)24M			0.13	3500	42.37	4.80	38.5
XA8025B(S)24H			0.23	4500	54.67	7.64	44.3
XA8025B(S)48L	48	36.0-54.0	0.06	3500	42.37	4.80	38.5
XA8025B(S)48M			0.06	4000	48.53	6.12	41.0
XA8025B(S)48H			0.10	4500	54.67	7.64	44.3



8038

 Size: 80x80x38mm

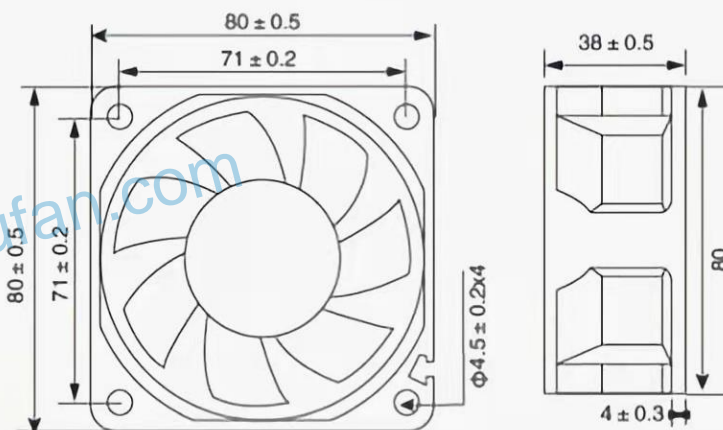
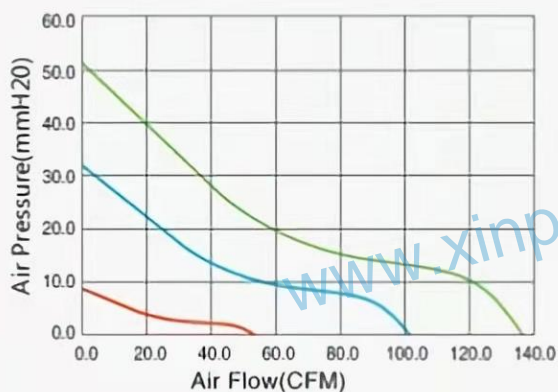
Bearing system :
Sleeve/Hydraulic/Ball

Housing/Impeller :
Plastic Material UL94V-0 PBT

Expectancy Life:
50000 hours at 25°C-Ball
30000 hours at 25°C-Sleeve

Operating Temperature:
Sleeve bearing -10°C~70°C
Ball bearing -40°C~75°C

Weight: 177.6g



Model (型号)	Voltage (电压)	Operating Voltage (电压范围)	Current (电流)	Speed (转速)	Air Flow (风量)	Air Pressure (风压)	Noise (噪音)
	VDC	VDC	Amp	RPM	CFM	mmH ₂ O	dB-A
XA8038B(S)12L	12	7.0-13.5	0.26	4000	50.91	8.63	41.1
XA8038B(S)12M			1.50	8000	105.98	31.35	59.6
XA8038B(S)12H			3.29	10000	137.44	50.77	65.0
XA8038B(S)24L	24	18.0-26.5	0.13	4000	50.91	8.63	41.1
XA8038B(S)24M			0.72	8000	105.98	31.35	59.6
XA8038B(S)24H			1.57	10000	137.44	50.77	65.0
XA8038B(S)48L	48	36.0-54.0	0.06	4000	50.91	8.63	41.1
XA8038B(S)48M			0.34	8000	105.98	31.35	59.6
XA8038B(S)48H			0.75	10000	137.44	50.77	65.0

9225

Size: 92x92x25mm



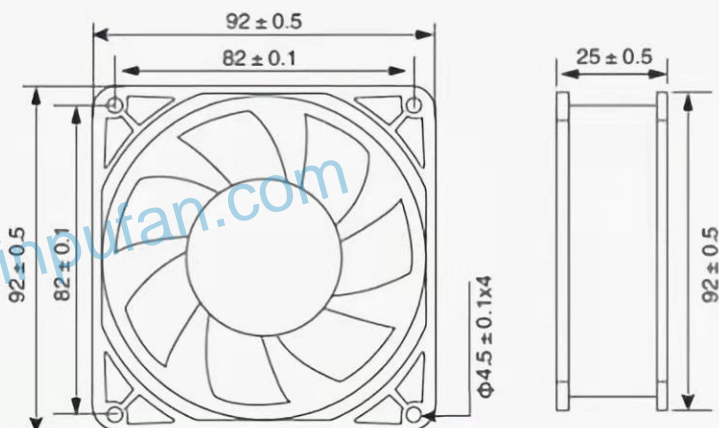
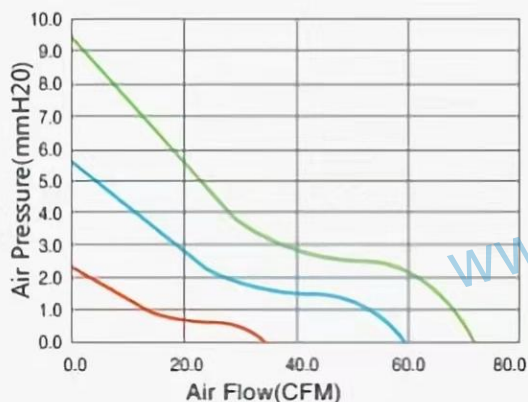
Bearing system :
Sleeve/Hydraulic/Ball

Housing/Impeller :
Plastic Material UL94V-0 PBT

Expectancy Life:
50000 hours at 25°C-Ball
30000 hours at 25°C-Sleeve

Operating Temperature:
Sleeve bearing -10°C~70°C
Ball bearing -40°C~75°C

Weight: 86.25g



www.xinpu.com

Model (型号)	Voltage (电压)	Operating Voltage (电压范围)	Current (电流)	Speed (转速)	Air Flow (风量)	Air Pressure (风压)	Noise (噪音)
	VDC	VDC	Amp	RPM	CFM	mmH ₂ O	dB-A
XA9225B(S)12L	12	7.0-13.5	0.18	2000	34.29	2.02	29.7
XA9225B(S)12M			0.28	2500	42.94	3.04	35.8
XA9225B(S)12H			0.36	3500	59.30	5.61	44.3
XA9225B(S)24L	24	18.0-26.5	0.11	2000	34.29	2.02	29.7
XA9225B(S)24M			0.21	3500	59.30	5.61	44.3
XA9225B(S)24H			0.25	4500	76.06	9.32	52.6
XA9225B(S)48L	48	36.0-54.0	0.07	2500	42.94	3.04	35.8
XA9225B(S)48M			0.12	3500	59.30	5.61	44.3
XA9225B(S)48H			0.15	4500	76.06	9.32	52.6



9238

 Size: 92x92x38mm

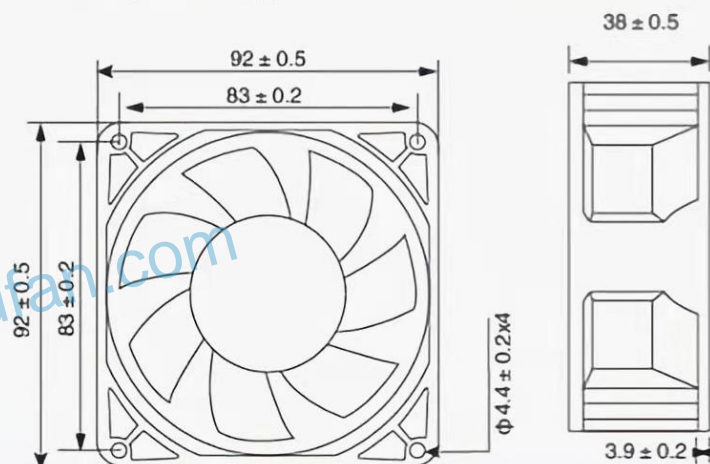
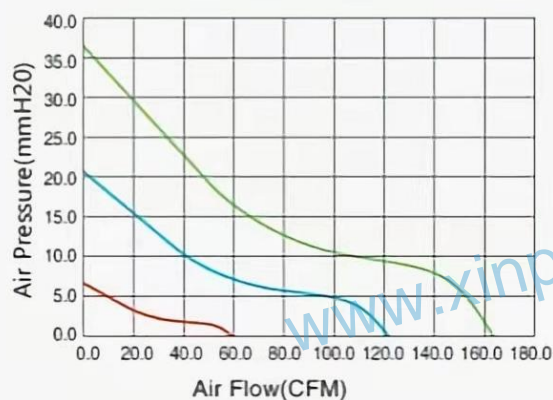
Bearing system :
Sleeve/Hydraulic/Ball

Housing/Impeller :
Plastic Material UL94V-0 PBT

Expectancy Life:
50000 hours at 25°C-Ball
30000 hours at 25°C-Sleeve

Operating Temperature:
Sleeve bearing -10°C-70°C
Ball bearing -40°C-75°C

Weight: 195g



Model (型号)	Voltage (电压)	Operating Voltage (电压范围)	Current (电流)	Speed (转速)	Air Flow (风量)	Air Pressure (风压)	Noise (噪音)
	VDC	VDC	Amp	RPM	CFM	mmH ₂ O	dB-A
XA9238B(S)12L	12	7.0-13.5	0.20	3000	59.87	6.37	39.0
XA9238B(S)12M			1.01	6000	120.58	20.60	58.3
XA9238B(S)12H			2.08	8000	166.69	36.79	65.5
XA9238B(S)24L	24	18.0-26.5	0.10	3000	59.87	6.37	39.0
XA9238B(S)24M			0.48	6000	120.58	20.60	58.3
XA9238B(S)24H			1.00	8000	166.69	36.79	65.5
XA9238B(S)48L	48	36.0-54.0	0.05	3000	59.87	6.37	39.0
XA9238B(S)48M			0.23	6000	120.58	20.60	58.3
XA9238B(S)48H			0.47	8000	166.69	36.79	65.5



12025

 Size: 120x120x25mm

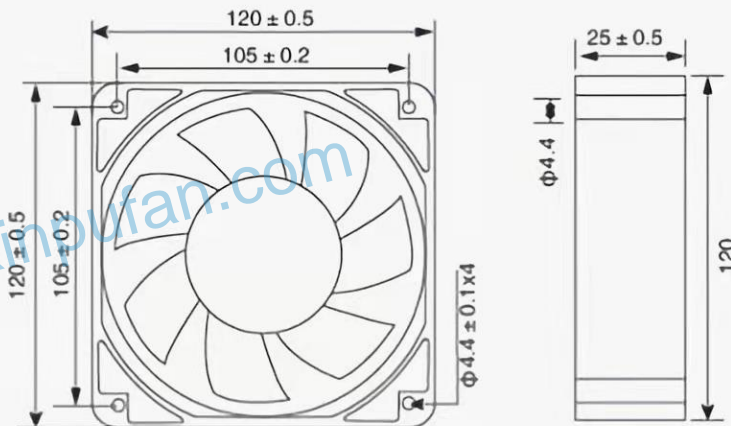
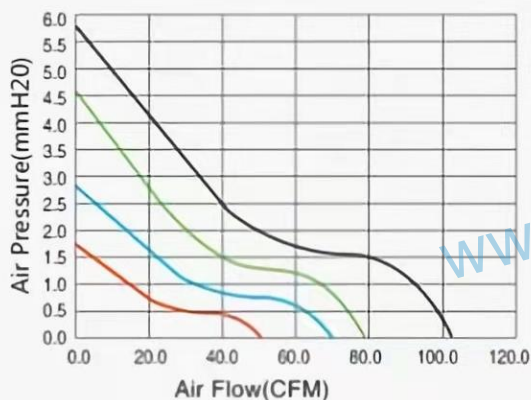
Bearing system :
Sleeve/Hydraulic/Ball

Housing/Impeller :
Plastic Material UL94V-0 PBT

Expectancy Life:
50000 hours at 25°C-Ball
30000 hours at 25°C-Sleeve

Operating Temperature:
Sleeve bearing -10°C~70°C
Ball bearing -40°C~75°C

Weight: 121.3g



Model (型号)	Voltage (电压)	Operating Voltage (电压范围)	Current (电流)	Speed (转速)	Air Flow (风量)	Air Pressure (风压)	Noise (噪音)
	VDC	VDC	Amp	RPM	CFM	mmH ₂ O	dB-A
XA12025B(S)05L	5	3.6-6.8	0.43	1500	52.6	1.70	29.6
XA12025B(S)05M			0.71	2000	68.4	2.90	36.8
XA12025B(S)12L	12	8.0-13.5	0.18	1500	52.6	1.70	29.6
XA12025B(S)12M			0.27	2000	68.4	2.90	36.8
XA12025B(S)12H			0.65	2500	79.6	4.52	41.0
XA12025B(S)12X			0.83	3000	106.46	5.68	49.7
XA12025B(S)24L	24	18.0-26.5	0.17	2000	68.4	2.90	36.8
XA12025B(S)24H			0.30	2500	79.6	4.52	41.0
XA12025B(S)24X			0.41	3000	106.46	5.68	49.7



12038

 Size: 120x120x38mm

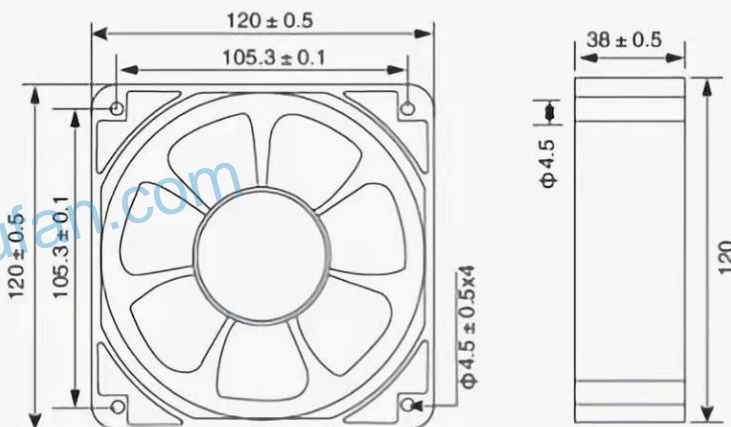
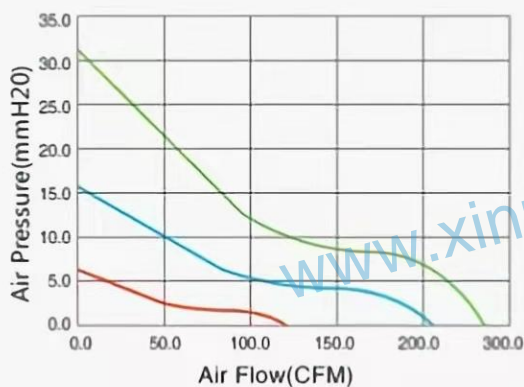
Bearing system :
Sleeve/Hydraulic/Ball

Housing/Impeller :
Plastic Material UL94V-0 PBT

Expectancy Life:
50000 hours at 25°C-Ball
30000 hours at 25°C-Sleeve

Operating Temperature:
Sleeve bearing -10°C~ 70°C
Ball bearing -40°C~75°C

Weight: 301.5g



Model (型号)	Voltage (电压)	Operating Voltage (电压范围)	Current (电流)	Speed (转速)	Air Flow (风量)	Air Pressure (风压)	Noise (噪音)
	VDC	VDC	Amp	RPM	CFM	mmH ₂ O	dB-A
XA12038B(S)12L	12	8.0-13.5	0.72	2500	124.87	6.07	46.0
XA12038B(S)12M			1.85	4000	203.33	15.06	56.3
XA12038B(S)12H			3.40	5000	271.04	30.26	67.8
XA12038B(S)24L	24	18.0-26.5	0.35	2500	124.87	6.07	46.0
XA12038B(S)24M			0.91	4000	203.33	15.06	56.3
XA12038B(S)24H			1.70	5000	271.04	30.26	67.8
XA12038B(S)48L	48	36.0-54.0	0.18	2500	124.87	6.07	46.0
XA12038B(S)48M			0.45	4000	203.33	15.06	56.3
XA12038B(S)48H			0.85	5000	271.04	30.26	67.8

12038

Size: 120x120x38mm



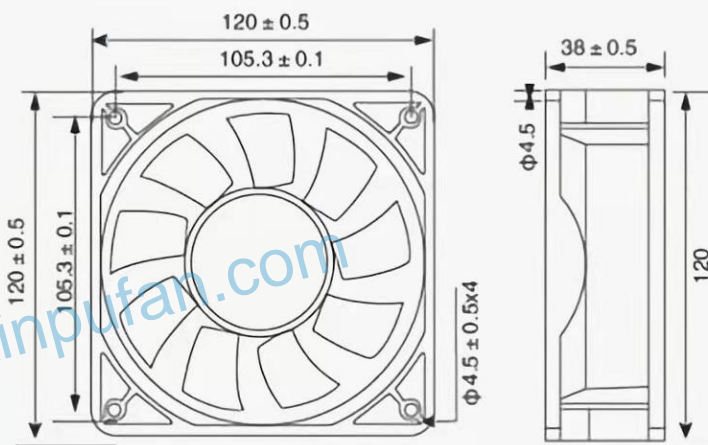
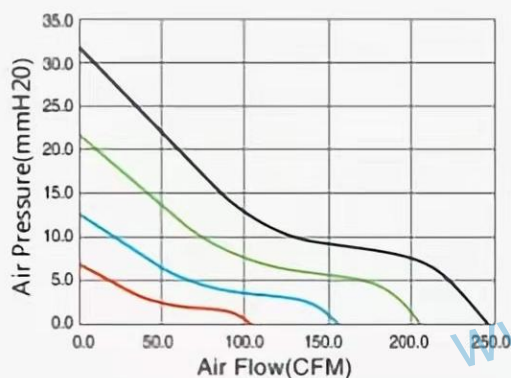
Bearing system :
Sleeve/Hydraulic/Ball

Housing/Impeller :
Plastic Material UL94V-0 PBT

Expectancy Life:
50000 hours at 25°C-Ball
30000 hours at 25°C-Sleeve

Operating Temperature:
Sleeve bearing -10°C~70°C
Ball bearing -40°C~75°C

Weight: 294.5g



Model (型号)	Voltage (电压)	Operating Voltage (电压范围)	Current (电流)	Speed (转速)	Air Flow (风量)	Air Pressure (风压)	Noise (噪音)
	VDC	VDC	Amp	RPM	CFM	mmH ₂ O	dB-A
XA12038B(S)12L	12	7.0-13.5	0.64	2500	110.82	6.59	51.5
XA12038B(S)12M			1.11	3500	158.82	12.90	59.3
XA12038B(S)12H			2.57	4500	214.72	22.27	66.0
XA12038B(S)12X			4.00	5500	249.03	32.43	69.6
XA12038B(S)24L	24	18.0-26.5	0.33	2500	110.82	6.59	51.5
XA12038B(S)24M			0.62	3500	158.82	12.90	59.3
XA12038B(S)24H			1.30	4500	214.72	22.27	66.0
XA12038B(S)24X			2.00	5500	249.03	32.43	69.6
XA12038B(S)48L	48	36.0-54.0	0.18	2500	110.82	6.59	51.5
XA12038B(S)48M			0.28	3500	158.82	12.90	59.3
XA12038B(S)48H			0.65	4500	214.72	22.27	66.0
XA12038B(S)48X			1.00	5500	249.03	32.43	69.6

15050

 Size: 150x150x50mm

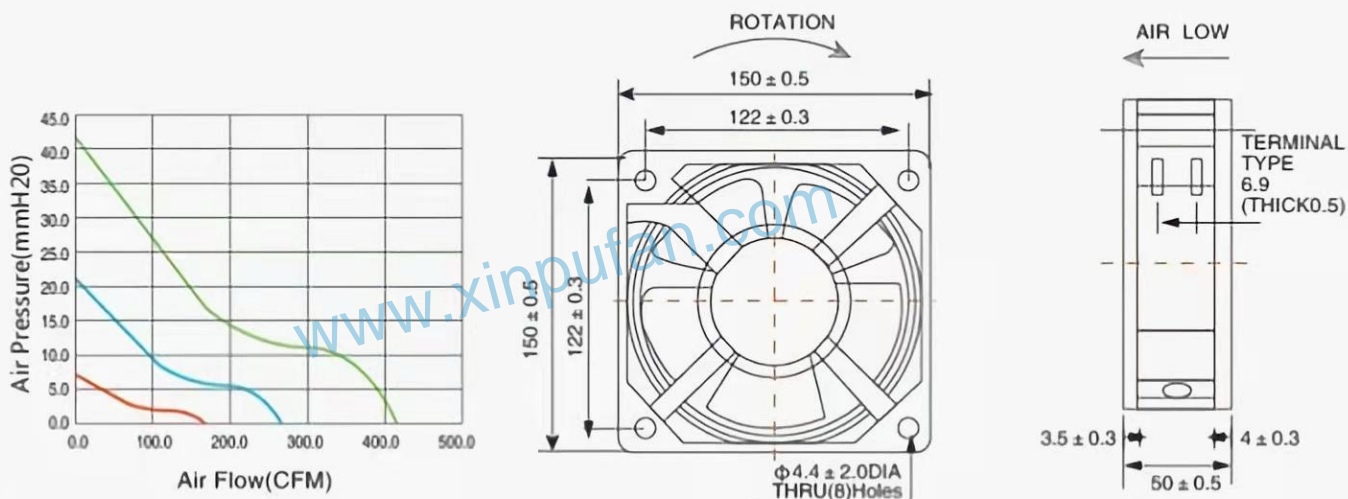

Bearing system :
Sleeve/Hydraulic/Ball

Housing/Impeller :
Plastic Material UL94V-0 PBT

Expectancy Life:
50000 hours at 25°C-Ball
30000 hours at 25°C-Sleeve

Operating Temperature:
Sleeve bearing -10°C~70°C
Ball bearing -40°C~75°C

Weight: 700g



Model (型号)	Voltage (电压)	Operating Voltage (电压范围)	Current (电流)	Speed (转速)	Air Flow (风量)	Air Pressure (风压)	Noise (噪音)
	VDC	VDC	Amp	RPM	CFM	mmH ₂ O	dB-A
XA15050B(S)12L	12	7.0-13.5	0.43	2000	141.5	6.46	44.8
XA15050B(S)12M			2.00	3500	265.1	20.41	62.8
XA15050B(S)12H			6.3	5500	408.5	40.44	73.5
XA15050B(S)24L	24	18.0-26.5	0.21	2000	141.5	6.46	44.8
XA15050B(S)24M			0.90	3500	265.1	20.41	62.8
XA15050B(S)24H			3.10	5500	408.5	40.44	73.5
XA15050B(S)48L	48	36.0-54.0	0.13	2000	141.5	6.46	44.8
XA15050B(S)48M			0.54	3500	265.1	20.41	62.8
XA15050B(S)48H			1.56	5500	408.5	40.44	73.5

17251

 Size: 171x153x51mm

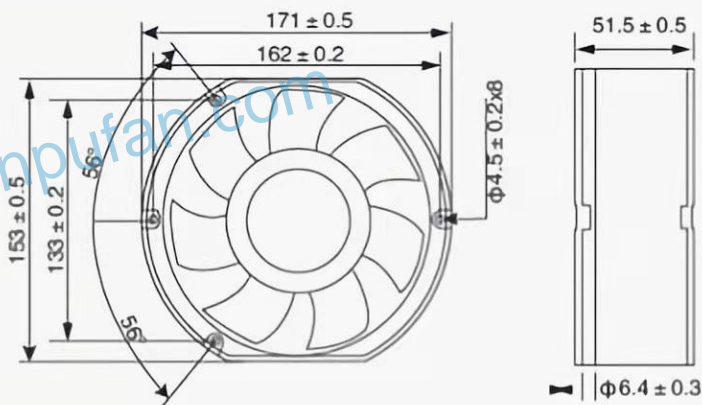
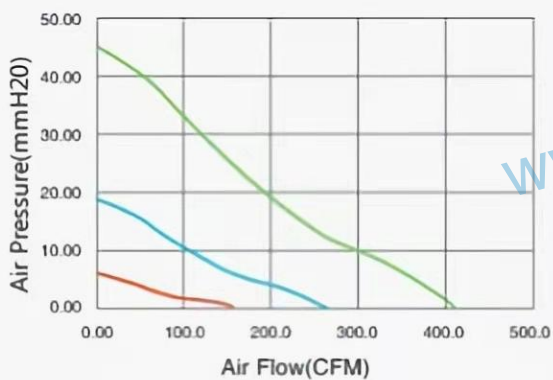
Bearing system :
Sleeve/Hydraulic/Ball

Housing/Impeller :
Plastic Material UL94V-0 PBT

Expectancy Life:
50000 hours at 25°C-Ball
30000 hours at 25°C-Sleeve

Operating Temperature:
Sleeve bearing -10°C-70°C
Ball bearing -40°C-75°C

Weight: 665g



Model (型号)	Voitage (电压)	Operating Voitage (电压范围)	Current (电流)	Speed (转速)	Air Flow (风量)	Air Pressure (风压)	Noise (噪音)
	VDC	VDC	Amp	RPM	CFM	mmH ₂ O	dB-A
XA17251B(S)12L	12	8.0-13.5	0.41	2000	136.95	6.42	46
XA17251B(S)12M			1.9	3500	248.22	17.84	60
XA17251B(S)12H			6.3	5500	411.96	45.08	71
XA17251B(S)24L	24	18-26.5	0.11	2000	136.95	6.42	46
XA17251B(S)24M			0.43	3500	248.22	17.84	60
XA17251B(S)24H			1.56	5500	411.96	45.08	71
XA17251B(S)48L	48	36-54	0.21	2000	136.95	6.42	46
XA17251B(S)48M			0.88	3500	248.22	17.84	60
XA17251B(S)48H			3.10	5500	411.96	45.08	71



17251

 Size: $\Phi 171 \times 50 \text{mm}$

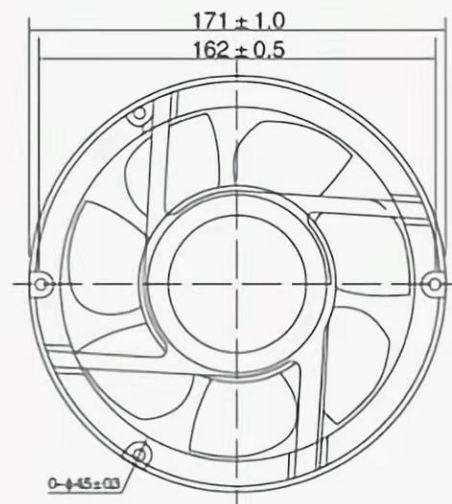
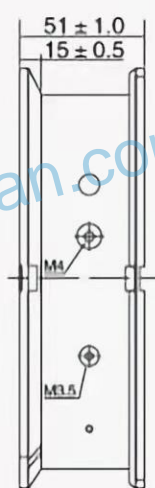
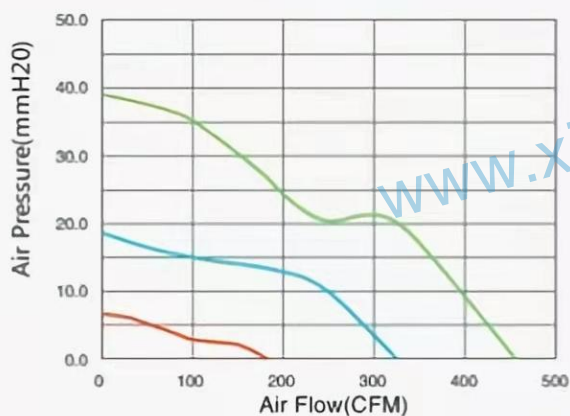
Bearing system :
Sleeve/Hydraulic/Ball

Housing/Impeller :
Plastic Material UL94V-0 PBT

Expectancy Life:
50000 hours at 25°C-Ball
30000 hours at 25°C-Sleeve

Operating Temperature:
Sleeve bearing -10°C~70°C
Ball bearing -40°C~75°C

Weight: 690g



Model (型号)	Voltage (电压)	Operating Voltage (电压范围)	Current (电流)	Speed (转速)	Air Flow (风量)	Air Pressure (风压)	Noise (噪音)
	VDC	VDC	Amp	RPM	CFM	mmH ₂ O	dB-A
XA17251B(S)12L	12	8.0-13.5	0.85	2000	168.9	5.81	50
XA17251B(S)12M			4.1	3500	313.23	18.72	63
XA17251B(S)12H			7.3	5000	461.1	39.05	75
XA17251B(S)24L	24	16-26.5	0.16	2000	168.9	5.81	50
XA17251B(S)24M			1.1	3500	313.23	18.72	63
XA17251B(S)24H			2.5	5000	461.1	39.05	75
XA17251B(S)48L	48	36-54	0.3	2000	168.9	5.81	50
XA17251B(S)48M			2	3500	313.23	18.72	63
XA17251B(S)48H			5.1	4500	410.9	31.27	75

20060

 Size: 200x200x60mm

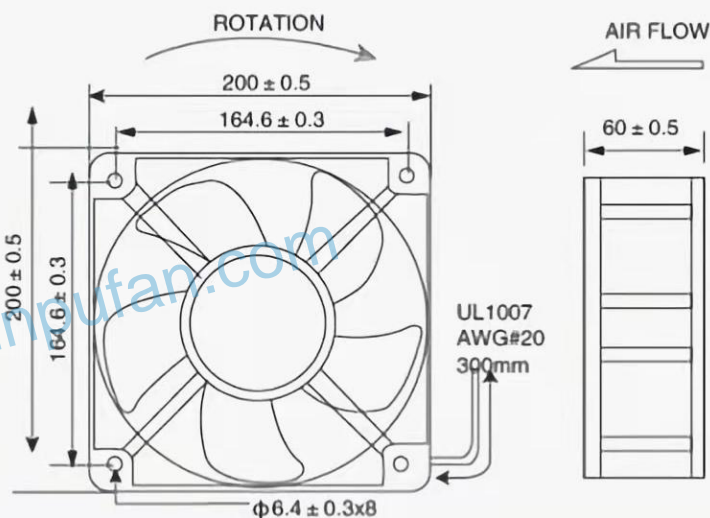
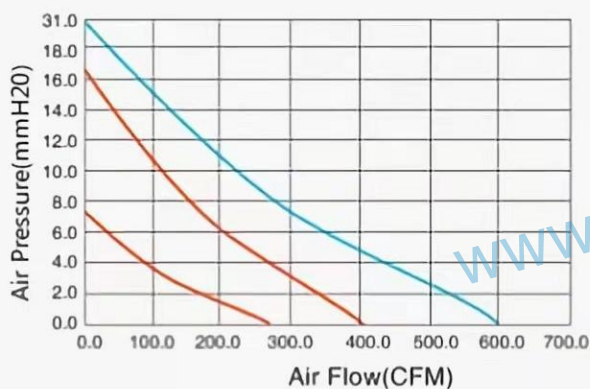

Bearing system :
Sleeve/Hydraulic/Ball

Housing/Impeller :
Plastic Material UL94V-0 PBT

Expectancy Life:
50000 hours at 25°C-Ball
30000 hours at 25°C-Sleeve

Operating Temperature:
Sleeve bearing -10°C~70°C
Ball bearing -40°C~75°C

Weight: 2400g



Model (型号)	Voltage (电压)	Operating Voltage (电压范围)	Current (电流)	Speed (转速)	Air Flow (风量)	Air Pressure (风压)	Noise (噪音)
	VDC	VDC	Amp	RPM	CFM	mmH ₂ O	dB-A
XA20060B(S)12L	12	8.0-13.5	0.80	1500	270.05	7.30	53.1
XA20060B(S)12M			2.92	2500	407.92	16.61	62.4
XA20060B(S)12H			7.40	3500	582.64	31.32	72.6
XA20060B(S)24L	24	16-26.5	0.38	1500	270.05	7.30	53.1
XA20060B(S)24M			1.39	2500	407.92	16.61	62.4
XA20060B(S)24H			3.52	3500	582.64	31.32	72.6
XA20060B(S)48L	48	36-54	0.18	1500	270.05	7.30	53.1
XA20060B(S)48M			0.66	2500	407.92	16.61	62.4
XA20060B(S)48H			1.67	3500	582.64	31.32	72.6