



# 3004

Size: 30x30x4mm

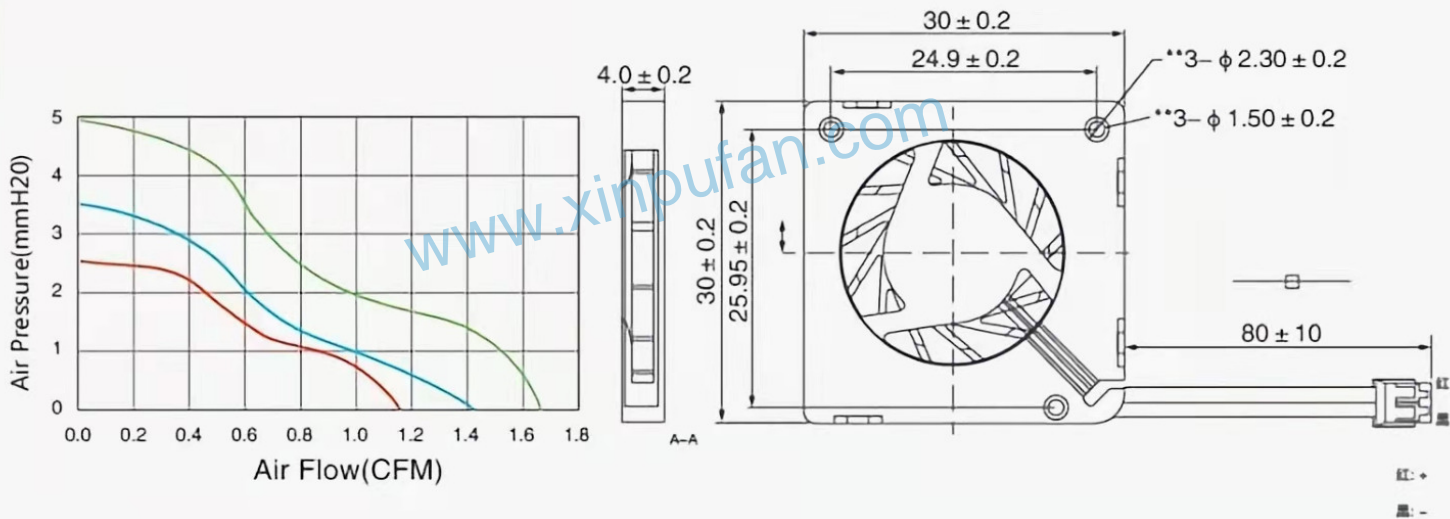
**Bearing system :**  
Sleeve/Hydraulic

**Housing/Impeller :**  
Plastic Material UL94V-0 PBT

**Expectancy Life:**  
30000 hours at 25°C-Sleeve

**Operating Temperature:**  
Sleeve bearing -10°C~70°C

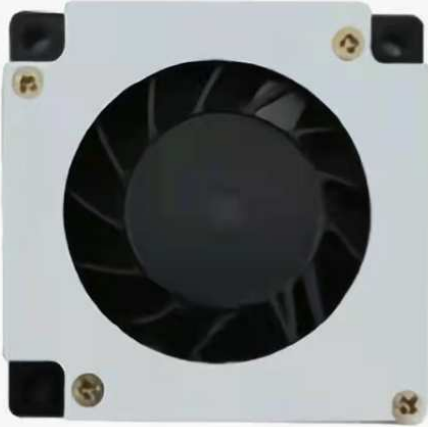
**Weight:** 5g



Model (型号)	Voltage (电压)	Operating Voltage (电压范围)	Current (电流)	Speed (转速)	Air Flow (风量)	Air Pressure (风压)	Noise (噪音)
	VDC	VDC	Amp	RPM	CFM	mmH <sub>2</sub> O	dB-A
XB3004S05L	5	4.5-5.5	0.08	8500	1.18	2.55	24.3
XB3004S05M			0.1	9500	1.42	3.67	26.8
XB3004S05H			0.14	11000	1.66	5	29.2

# 3507

Size: 30x30x7mm



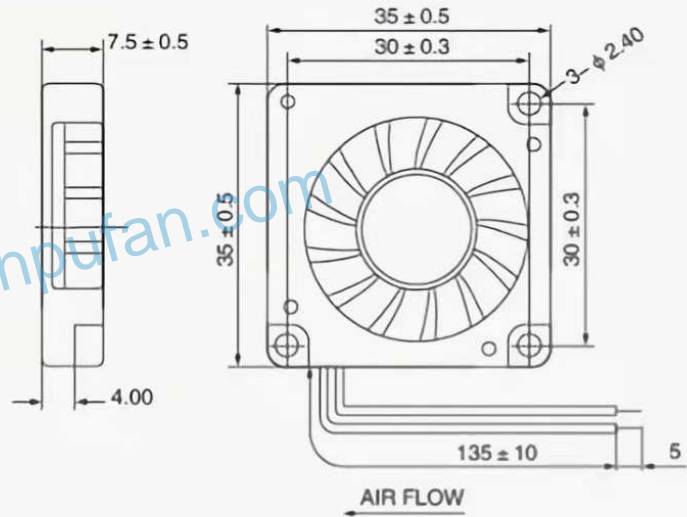
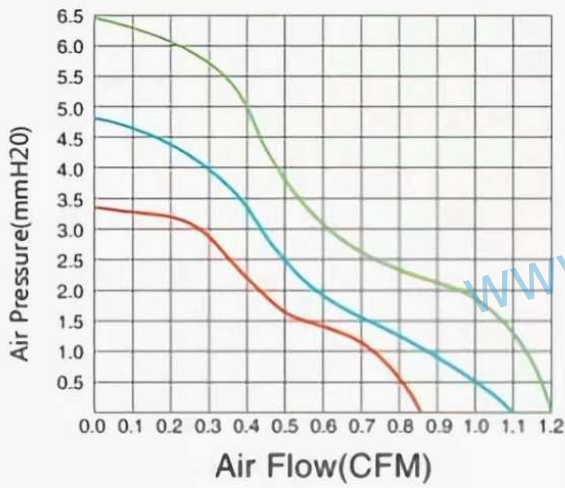
**Bearing system :**  
Sleeve/Hydraulic

**Housing/Impeller :**  
Plastic Material UL94V-0 PBT

**Expectancy Life:**  
30000 hours at 25°C-Sleeve

**Operating Temperature:**  
Sleeve bearing -10°C~70°C

**Weight:** 15g



Model (型号)	Voltage (电压)	Operating Voltage (电压范围)	Current (电流)	Speed (转速)	Air Flow (风量)	Air Pressure (风压)	Noise (噪音)
	VDC	VDC	Amp	RPM	CFM	mmH <sub>2</sub> O	dB-A
XB3507S05L	5	4.5-5.5	0.1	4500	0.85	3.4	23.4
XB3507S05M			0.15	5500	1.1	4.8	25.6
XB3507S05H			0.2	6500	1.2	6.5	27.9
XB3507S12L	12	10.8-13.2	0.06	4500	0.85	3.4	23.4
XB3507S12M			0.1	5500	1.1	4.8	25.6
XB3507S12H			0.15	6500	1.2	6.5	27.9



# 4010

 Size: 40x40x10mm

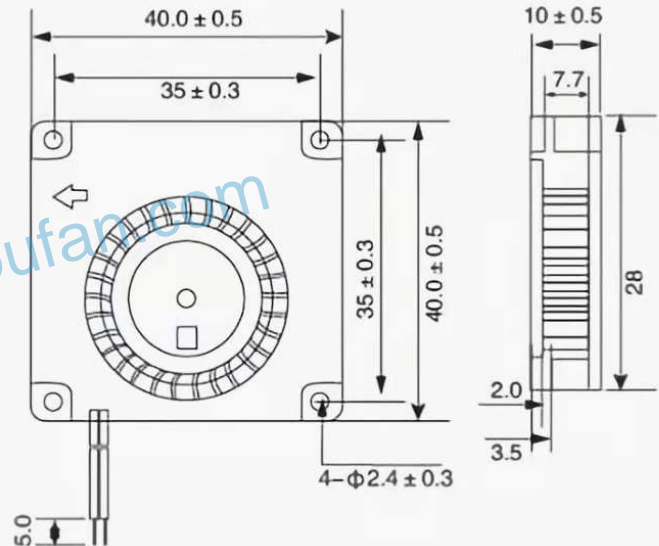
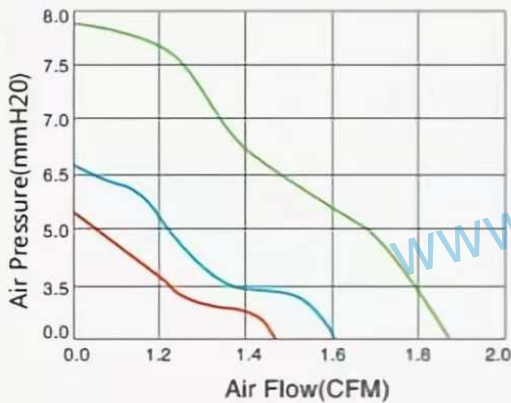
**Bearing system :**  
Sleeve/Hydraulic/Ball

**Housing/Impeller :**  
Plastic Material UL94V-0 PBT

**Expectancy Life:**  
50000 hours at 25°C-Ball  
30000 hours at 25°C-Sleeve

**Operating Temperature:**  
Sleeve bearing -10°C~70°C  
Ball bearing -40°C~75°C

**Weight:** 12g



Model (型号)	Voltage (电压)	Operating Voltage (电压范围)	Current (电流)	Speed (转速)	Air Flow (风量)	Air Pressure (风压)	Noise (噪音)
	VDC	VDC	Amp	RPM	CFM	mmH <sub>2</sub> O	dB-A
XB4010B(S)05L	5	4.5-5.5	0.07	4700	1.42	5.21	26.4
XB4010B(S)05M			0.08	5500	1.60	6.68	31.0
XB4010B(S)05H			0.12	6200	1.82	7.87	34.2
XB4010B(S)12L	12	10.8-13.2	0.06	4700	1.42	5.21	26.4
XB4010B(S)12M			0.09	5500	1.60	6.68	31.0
XB4010B(S)12H			0.12	6200	1.82	7.87	34.2



# 4020

Size: 40x40x20mm

**Bearing system :**  
Sleeve/Hydraulic/Ball

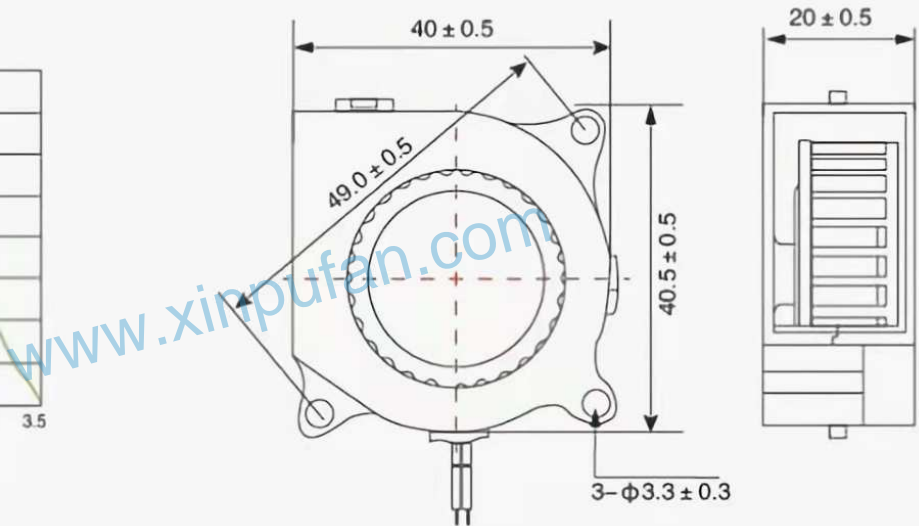
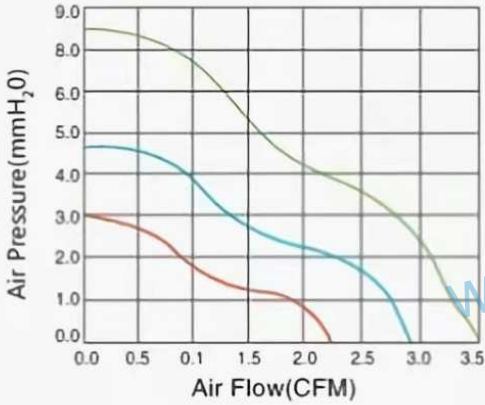
**Housing/Impeller :**  
Plastic Material UL94V-0 PBT

**Expectancy Life:**  
50000 hours at 25°C-Ball  
30000 hours at 25°C-Sleeve

**Operating Temperature:**  
Sleeve bearing -10°C~70°C  
Ball bearing -40°C~75°C

**Weight:** 25g

DC BLOWER FAN



Model (型号)	Voltage (电压)	Operating Voltage (电压范围)	Current (电流)	Speed (转速)	Air Flow (风量)	Air Pressure (风压)	Noise (噪音)
	VDC	VDC	Amp	RPM	CFM	mmH <sub>2</sub> O	dB-A
XB4020B(S)05L	5	4.5-5.5	0.14	3000	2.20	3.00	21.4
XB4020B(S)05M			0.20	4200	2.90	4.90	25.5
XB4020B(S)05H			0.26	6500	3.50	8.34	34.3
XB4020B(S)12L	12	10.8-13.2	0.06	3000	2.20	3.00	21.4
XB4020B(S)12M			0.08	4200	2.90	4.90	25.5
XB4020B(S)12H			0.12	6500	3.50	8.34	34.3
XB4020B(S)24L	24	22-26	0.04	3000	2.20	3.00	21.4
XB4020B(S)24M			0.06	4200	2.90	4.90	25.5
XB4020B(S)24H			0.08	6500	3.50	8.34	34.3



# 5005

 Size: 50x55x5mm

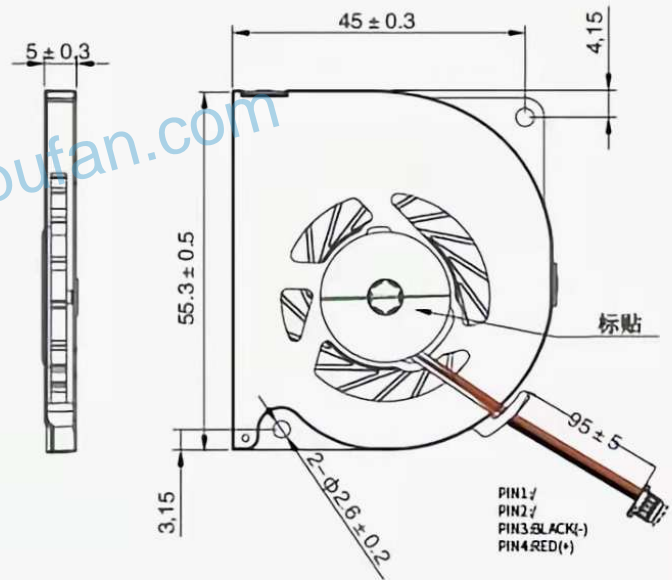
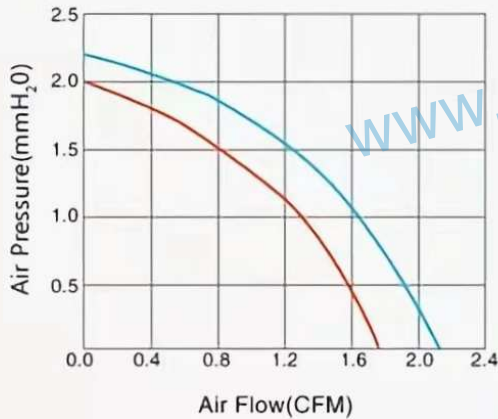
**Bearing system :**  
Sleeve/Hydraulic

**Housing/Impeller :**  
Plastic Material UL94V-0 PBT

**Expectancy Life:**  
50000 hours at 25°C-Ball  
30000 hours at 25°C-Sleeve

**Operating Temperature:**  
Sleeve bearing -10°C~70°C  
Ball bearing -40°C~75°C

**Weight:** 14g



Model (型号)	Voitage (电压)	Operating Voitage (电压范围)	Current (电流)	Speed (转速)	Air Flow (风量)	Air Pressure (风压)	Noise (噪音)
	VDC	VDC	Amp	RPM	CFM	mmH <sub>2</sub> O	dB-A
XB5005S05M	5	3.5-5.5	0.12	4500	2.12	2.2	19
XB5005S05L			0.08	3500	1.76	2	18

# 5010

Size: 40x53x10mm



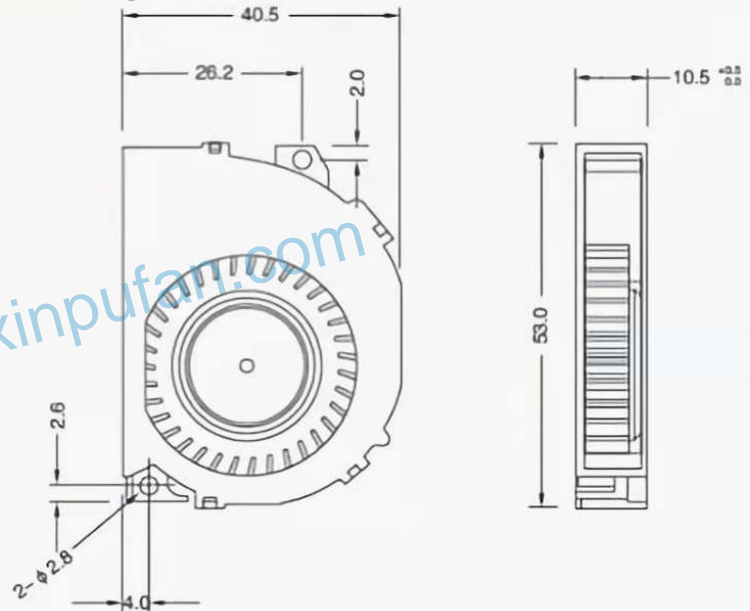
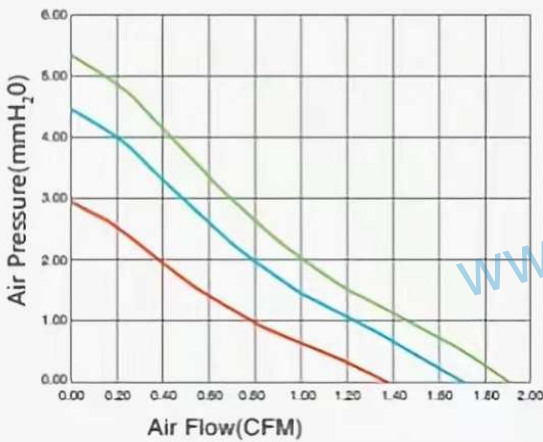
**Bearing system :**  
Sleeve/Hydraulic/Ball

**Housing/Impeller :**  
Plastic Material UL94V-0 PBT

**Expectancy Life:**  
50000 hours at 25°C-Ball  
30000 hours at 25°C-Sleeve

**Operating Temperature:**  
Sleeve bearing -10°C~+70°C  
Ball bearing -40°C~75°C

**Weight:**  
25g



DC BLOWER FAN

Model (型号)	Voltage (电压)	Operating Voltage (电压范围)	Current (电流)	Speed (转速)	Air Flow (风量)	Air Pressure (风压)	Noise (噪音)
	VDC	VDC	Amp	RPM	CFM	mmH <sub>2</sub> O	dB-A
XB5010B(S)05H	5	3.5-5.76	0.18	4500	1.76	4.83	26
XB5010B(S)05M			0.15	4000	1.59	4.32	23
XB5010B(S)05L			0.12	3500	1.19	2.46	15.5
XB5010B(S)12X	12	6.0-13.8	0.15	5500	1.9	5.33	28
XB5010B(S)12H			0.12	4500	1.76	4.63	25
XB5010B(S)12L			0.1	3500	1.37	2.92	18.45
XB5010B(S)24X	24	12.0-27.6	0.06	5500	1.96	5.33	28
XB5010B(S)12H			0.06	4500	1.76	4.83	26
XB5010B(S)12L			0.04	3500	1.37	2.92	18.45



# 5015

 Size: 50x50x15mm

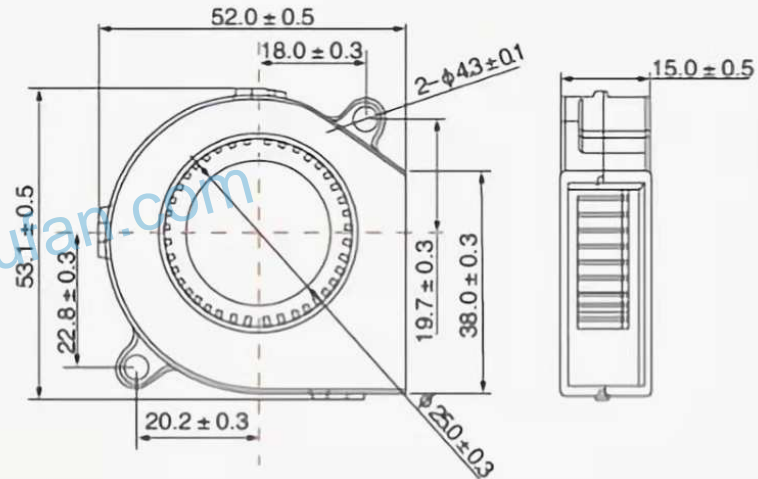
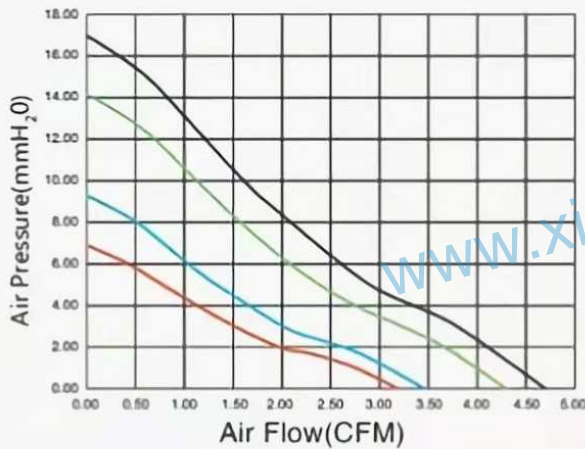
**Bearing system :**  
Sleeve/Hydraulic/Ball

**Housing/Impeller :**  
Plastic Material UL94V-0 PBT

**Expectancy Life:**  
50000 hours at 25°C-Ball  
30000 hours at 25°C-Sleeve

**Operating Temperature:**  
Sleeve bearing -10°C-70°C  
Ball bearing -40°C-75°C

**Weight:** 26.7g



Model (型号)	Voltage (电压)	Operating Voltage (电压范围)	Current (电流)	Speed (转速)	Air Flow (风量)	Air Pressure (风压)	Noise (噪音)
	VDC	VDC	Amp	RPM	CFM	mmH <sub>2</sub> O	dB-A
XB5015B(S)05L	5	3.6-6.8	0.12	4300	3.17	6.82	32.2
XB5015B(S)05M			0.15	4900	3.44	9.23	37.3
XB5015B(S)05H			0.24	5800	4.3	14.11	42.8
XB5015B(S)12L	12	7.0-13.5	0.05	4300	3.17	6.82	32.2
XB5015B(S)12M			0.15	4900	3.44	9.23	37.3
XB5015B(S)12H			0.1	5800	4.3	14.11	42.8
XB5015B(S)12X			0.14	6500	4.7	16.93	45.3
XB5015B(S)24M	24	18-26.5	0.03	4900	3.44	9.23	37.3
XB5015B(S)24H			0.05	5800	4.3	14.11	42.8
XB5015B(S)24X			0.07	6500	4.7	16.93	45.3

# 5015 Size: 50x50x15mm



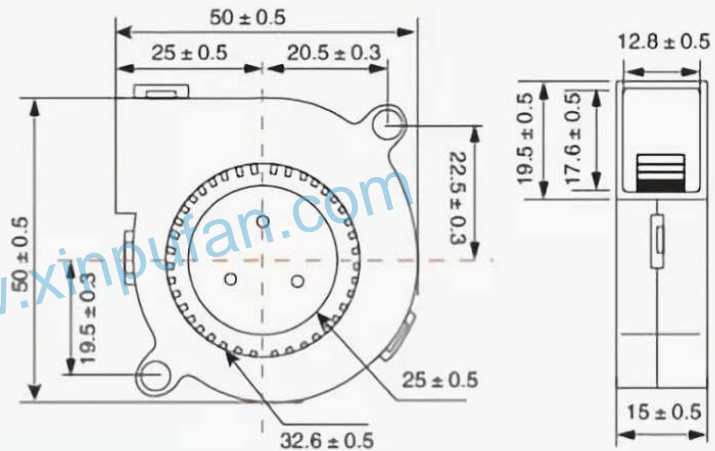
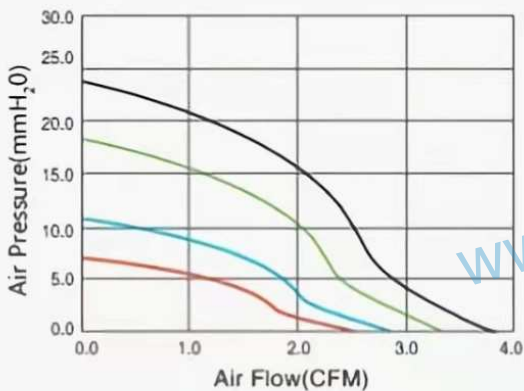
**Bearing system :**  
Sleeve/Hydraulic/Ball

**Housing/Impeller :**  
Plastic Material UL94V-0 PBT

**Expectancy Life:**  
50000 hours at 25°C-Ball  
30000 hours at 25°C-Sleeve

**Operating Temperature:**  
Sleeve bearing -10°C~70°C  
Ball bearing -40°C~75°C

**Weight:** 26.7g



DC BLOWER FAN

Model (型号)	Voitage (电压)	Operating Voitage (电压范围)	Current (电流)	Speed (转速)	Air Flow (风量)	Air Pressure (风压)	Noise (噪音)
	VDC	VDC	Amp	RPM	CFM	mmH <sub>2</sub> O	dB-A
XB5015B(S)05L	5	3.6~6.8	0.16	4300	2.63	7.30	35
XB5015B(S)05M			0.30	4900	2.95	11.42	39
XB5015B(S)05H			0.37	5800	3.33	17.28	43
XB5015B(S)12L	12	7.0~13.5	0.09	4300	2.63	7.30	35
XB5015B(S)12M			0.12	4900	2.95	11.42	39
XB5015B(S)12H			0.18	5800	3.33	17.28	43
XB5015B(S)12X			0.32	6500	3.76	24.08	46
XB5015B(S)24M	24	18~26.5	0.07	4900	2.95	11.42	39
XB5015B(S)24H			0.09	5800	3.33	17.28	43
XB5015B(S)24X			0.15	6500	3.76	24.08	46



# 5020

 Size: 50x50x20mm

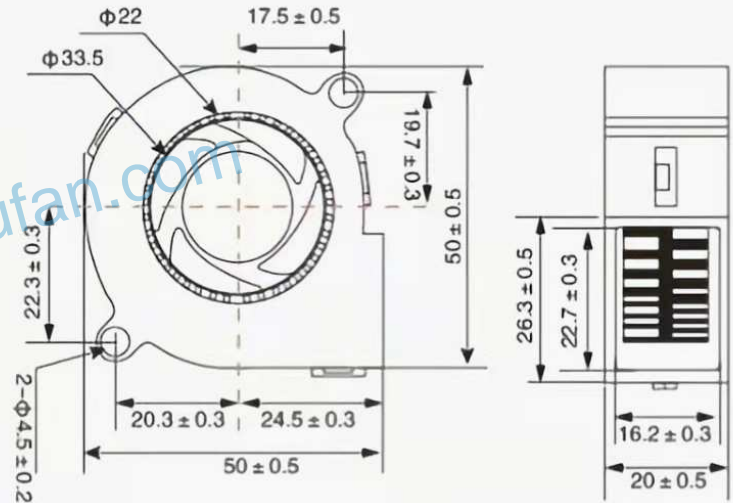
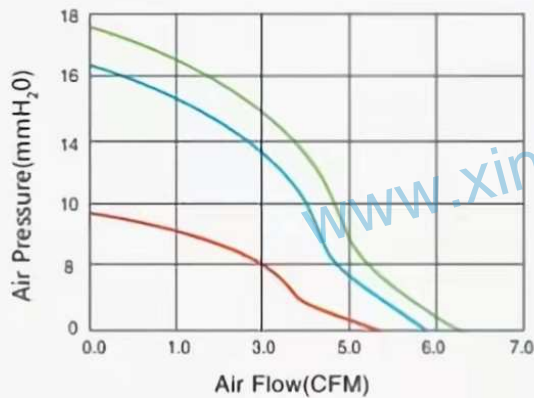
**HBearing system :**  
Sleeve/Hydraulic/Ball

**ousing/Impeller :**  
Plastic Material UL94V-0 PBT

**Expectancy Life:**  
50000 hours at 25°C-Ball  
30000 hours at 25°C-Sleeve

**Operating Temperature:**  
Sleeve bearing -10°C-70°C  
Ball bearing -40°C-75°C

**Weight:** 31.6g



Model (型号)	Voltage (电压)	Operating Voltage (电压范围)	Current (电流)	Speed (转速)	Air Flow (风量)	Air Pressure (风压)	Noise (噪音)
	VDC	VDC	Amp	RPM	CFM	mmH <sub>2</sub> O	dB-A
XB5020B(S)05L	5	3.6-6.8	0.33	4000	5.21	9.61	27.0
XB5020B(S)05M			0.39	5000	5.86	16.23	35.0
XB5020B(S)12L	12	7.0-13.5	0.14	4000	5.21	9.61	27.0
XB5020B(S)12M			0.19	5000	5.86	16.23	35.0
XB5020B(S)12H			0.23	5500	6.12	17.73	37.4
XB5020B(S)24L	24	18-26.5	0.07	4000	5.21	9.61	27.0
XB5020B(S)24M			0.11	5000	5.86	16.23	35.0
XB5020B(S)24H			0.15	5500	5.21	17.73	37.4



# 6015

Size: 60x60x15mm

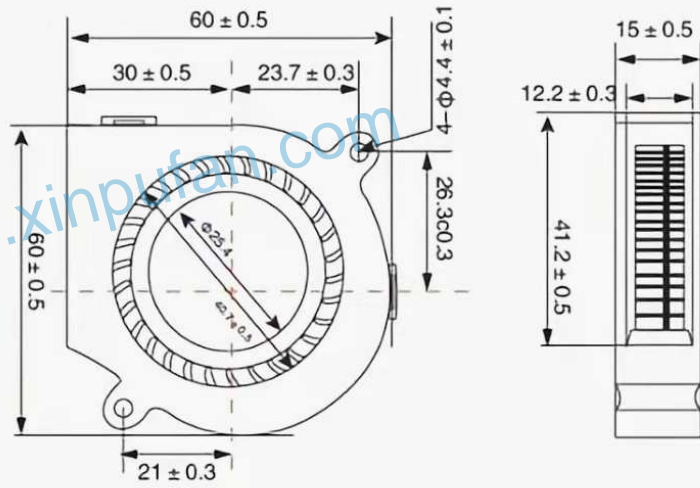
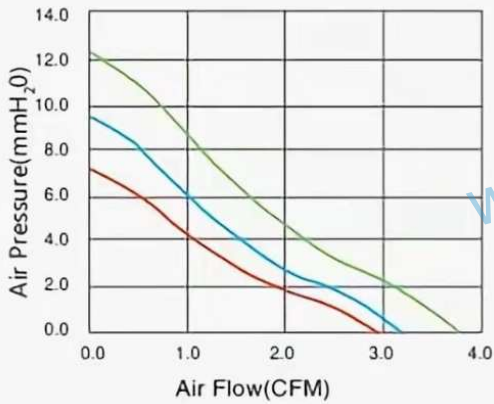
**Bearing system :**  
Sleeve/Hydraulic/Ball

**Housing/Impeller :**  
Plastic Material UL94V-0 PBT

**Expectancy Life:**  
50000 hours at 25°C-Ball  
30000 hours at 25°C-Sleeve

**Operating Temperature:**  
Sleeve bearing -10°C~70°C  
Ball bearing -40°C~75°C

**Weight:** 63.2g



DC BLOWER FAN

Model (型号)	Voitage (电压)	Operating Voitage (电压范围)	Current (电流)	Speed (转速)	Air Flow (风量)	Air Pressure (风压)	Noise (噪音)		
	VDC	VDC	Amp	RPM	CFM	mmH <sub>2</sub> O	dB-A		
XB6015B(S)05L	5	3.6-6.8	0.15	3500	2.94	7.06	31.2		
XB6015B(S)12L			0.06	3500	2.94	7.06	31.2		
XB6015B(S)12M			12	7.0-13.5	0.08	4000	3.19	9.33	35.0
XB6015B(S)12H					0.11	4500	3.79	12.10	37.8
XB6015B(S)24M	24	18.0-26.4	0.04	4000	3.19	9.33	35.0		
XB6015B(S)24H			0.06	4500	3.79	12.10	37.8		



# 6025

 Size: 60x60x25mm

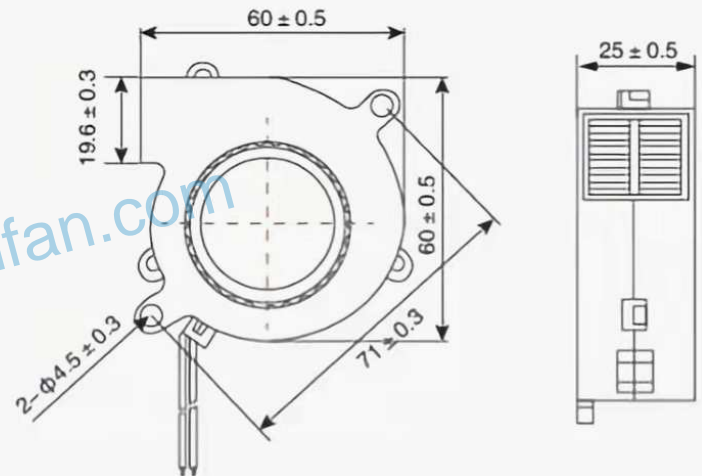
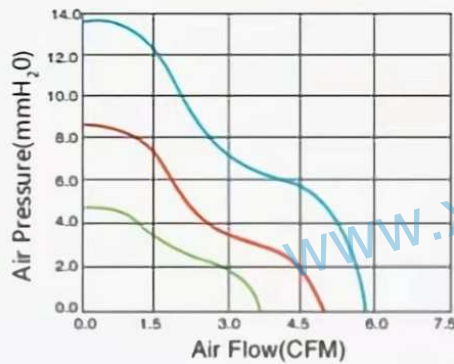
**Bearing system :**  
Sleeve/Hydraulic/Ball

**Housing/Impeller :**  
Plastic Material UL94V-0 PBT

**Expectancy Life:**  
50000 hours at 25°C-Ball  
30000 hours at 25°C-Sleeve

**Operating Temperature:**  
Sleeve bearing -10°C-70°C  
Ball bearing -40°C-75°C

**Weight:** 45g



Model (型号)	Voltage (电压)	Operating Voltage (电压范围)	Current (电流)	Speed (转速)	Air Flow (风量)	Air Pressure (风压)	Noise (噪音)
	VDC	VDC	Amp	RPM	CFM	mmH <sub>2</sub> O	dB-A
XB6025B(S)05L	5	3.6-6.8	0.23	3000	3.6	4.7	26.4
XB6025B(S)05M			0.35	3500	4.6	8.1	30.6
XB6025B(S)05H			0.45	4000	5.7	13.7	36.8
XB6025B(S)12L	12	10.8-13.2	0.13	3000	3.6	4.7	26.4
XB6025B(S)12H			0.18	4000	4.6	8.1	30.6
XB6025B(S)12X			0.40	5500	7.8	26.7	44.7
XB6025B(S)24L	24	21.6-26.4	0.06	3000	3.6	4.7	26.4
XB6025B(S)24H			0.09	4000	4.6	8.1	30.6
XB6025B(S)24X			0.23	5500	7.8	26.7	44.7

# 6028 Size: 60x60x28mm



**Bearing system :**  
Sleeve/Hydraulic/Ball

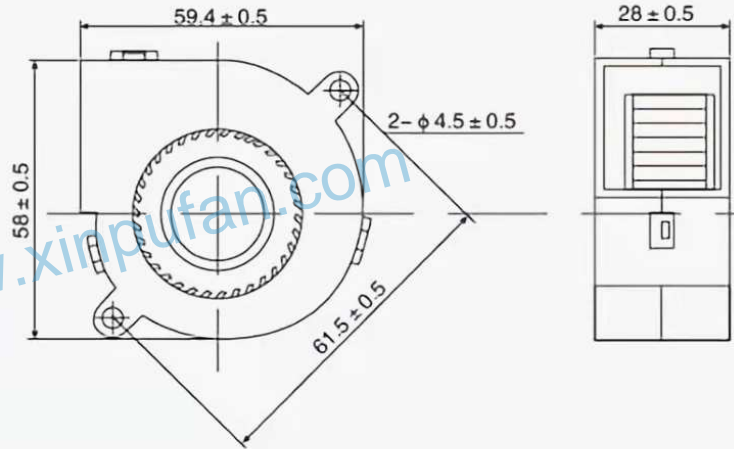
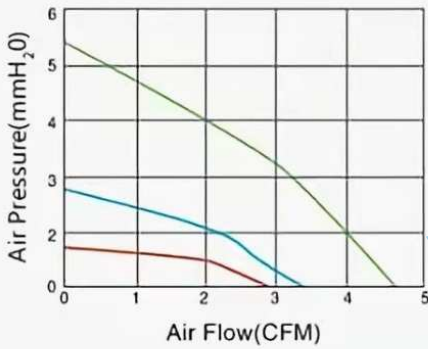
**ousing/Impeller :**  
Plastic Material UL94V-0 PBT

**Expectancy Life:**  
50000 hours at 25°C-Ball  
30000 hours at 25°C-Sleeve

**Operating Temperature:**  
Sleeve bearing -10°C-70°C  
Ball bearing -40°C-75°C

**Weight:** 55g

DC BLOWER FAN



Model (型号)	Rated Voltage (额定电压)	Started Voltage (启动电压)	Current (电流)	Speed (转速)	Air Flow (风量)	Air Pressure (风压)	Noise (噪音)
	VDC	VD	Amp	RPM	CFM	mmH <sub>2</sub> O	dBA
XB6028B(S)05L	5	3.8-6.8	0.08	2000	2.93	1.49	25.3
XB6028B(S)05M			0.12	2500	3.30	2.60	26.6
XB6028B(S)05H			0.20	3500	4.46	5.44	32.1
XB6028B(S)12L	12	7.0-13.5	0.03	2000	2.93	1.49	25.3
XB6028B(S)12M			0.04	2500	3.30	2.60	26.6
XB6028B(S)12H			0.08	3500	4.46	5.44	32.1
XB6028B(S)24L	24	18.0-26.5	0.01	2000	2.93	1.49	25.3
XB6028B(S)24M			0.02	2500	3.30	2.60	26.6
XB6028B(S)24H			0.04	3500	4.46	5.44	32.1



# 7515

 Size: 75x75x15mm

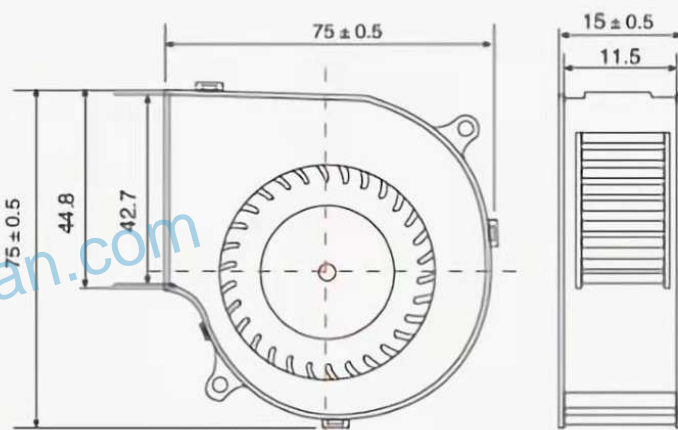
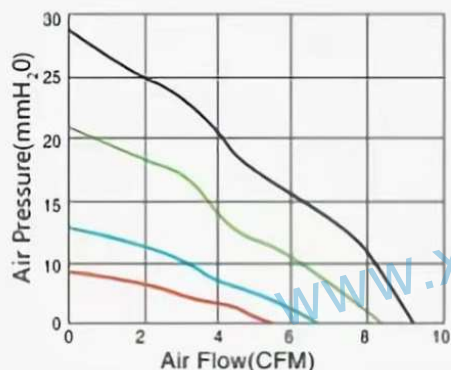
**Bearing system :**  
Sleeve/Hydraulic/Ball

**Housing/Impeller :**  
Plastic Material UL94V-0 PBT

**Expectancy Life:**  
50000 hours at 25°C-Ball  
30000 hours at 25°C-Sleeve

**Operating Temperature:**  
Sleeve bearing -10°C~70°C  
Ball bearing -40°C~75°C

**Weight:** 60g



Model (型号)	Rated Voltage (额定电压)	Started Voltage (启动电压)	Current (电流)	Speed (转速)	Air Flow (风量)	Air Pressure (风压)	Noise (噪音)
	VDC	VDC	Amp	RPM	CFM	mmH <sub>2</sub> O	dBA
XB7515B(S)05L	5	4.5-5.5	0.30	2500	5.7	9.1	29.7
XB7515B(S)05M			0.45	3200	6.9	14.3	36.5
XB7515B(S)05H			0.65	3600	7.5	18.8	39.8
XB7515B(S)12L	12	10.8-13.2	0.14	2500	5.7	9.1	29.7
XB7515B(S)12M			0.23	3200	6.9	14.3	36.5
XB7515B(S)12H			0.35	3800	8.1	21.5	41.8
XB7515B(S)12X			0.45	4200	9.5	29.3	47.2
XB7515B(S)24L	24	21.8-26.4	0.09	2500	5.7	9.1	29.7
XB7515B(S)24M			0.14	3200	6.9	14.3	36.5
XB7515B(S)24H			0.18	3800	8.1	21.5	41.8
XB7515B(S)24X			0.25	4200	9.5	29.3	47.2

# 7515 Size: 75x75x15mm

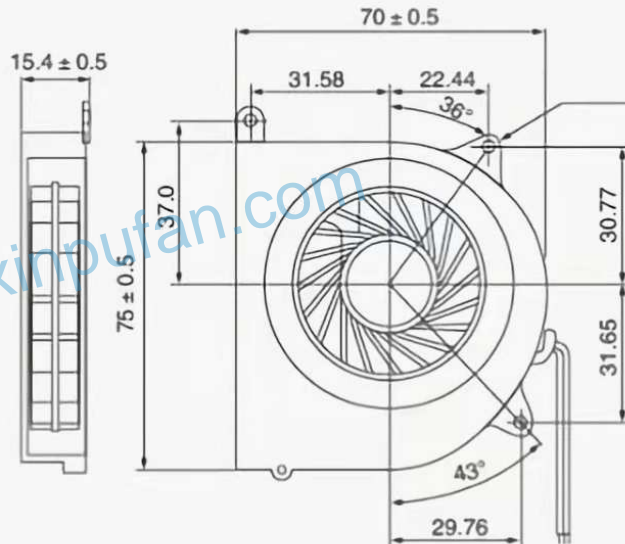
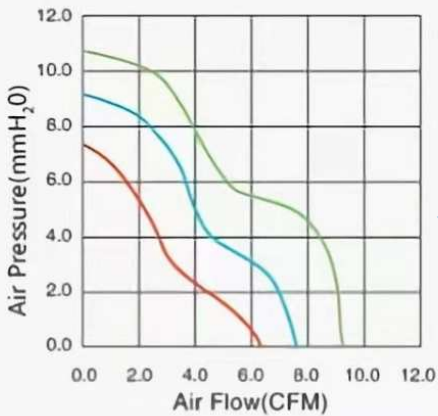
**Bearing system :**  
Sleeve/Hydraulic/Ball

**Housing/Impeller :**  
Plastic Material UL94V-0 PBT

**Expectancy Life:**  
50000 hours at 25°C-Ball  
30000 hours at 25°C-Sleeve

**Operating Temperature:**  
Sleeve bearing -10°C~70°C  
Ball bearing -40°C~75°C

**Weight:** 46g



DC BLOWER FAN

Model (型号)	Voitage (电压)	Operating Voitage (电压范围)	Current (电流)	Speed (转速)	Air Flow (风量)	Air Pressure (风压)	Noise (噪音)
	VDC	VDC	Amp	RPM	CFM	mmH <sub>2</sub> O	dB-A
XB7515B(S)05H	5	3.6-6.8	0.35	3500	8.68	10.56	32.6
XB7515B(S)05M			0.27	3000	7.44	9.05	27.9
XB7515B(S)05L			0.18	2500	6.20	7.54	23.3
XB7515B(S)12H	12	10.8-13.2	0.15	3500	8.68	10.56	32.6
XB7515B(S)12M			0.10	3000	7.44	9.05	27.9
XB7515B(S)12L			0.07	2500	6.20	7.54	23.3



# 7525

 Size: 75x75x25mm

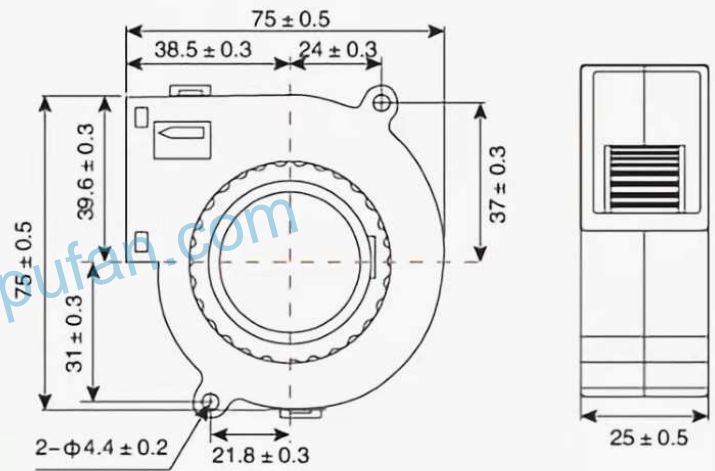
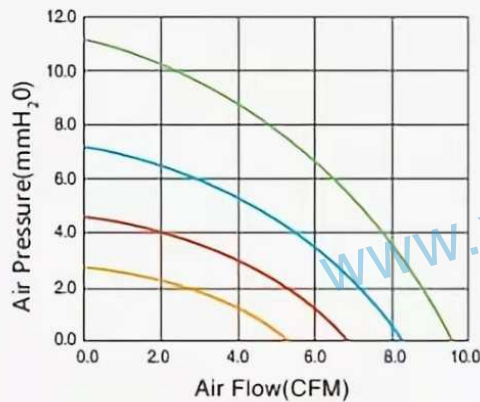
**Bearing system :**  
Sleeve/Hydraulic/Ball

**Housing/Impeller :**  
Plastic Material UL94V-0 PBT

**Expectancy Life:**  
50000 hours at 25°C-Ball  
30000 hours at 25°C-Sleeve

**Operating Temperature:**  
Sleeve bearing -10°C~70°C  
Ball bearing -40°C~75°C

**Weight:** 65g



Model (型号)	Voltage (电压)	Operating Voltage (电压范围)	Current (电流)	Speed (转速)	Air Flow (风量)	Air Pressure (风压)	Noise (噪音)
	VDC	VDC	Amp	RPM	CFM	mmH <sub>2</sub> O	dB-A
XB7525B(S)12L	12	7.0-13.5	0.11	2000	5.17	2.45	25.6
XB7525B(S)12M			0.22	2500	6.74	4.58	32.3
XB7525B(S)12H			0.26	3000	8.18	7.29	37.6
XB7525B(S)12X			0.42	3500	9.52	10.98	41.6
XB7525B(S)24L	24	18.0-26.5	0.08	2000	5.17	2.45	25.6
XB7525B(S)24M			0.11	2500	6.74	4.58	32.3
XB7525B(S)24H			0.14	3000	8.18	7.29	37.6
XB7525B(S)24X			0.23	3500	9.52	10.98	41.6

# 7530 Size: 75x75x30mm



**Bearing system :**  
Sleeve/Hydraulic/Ball

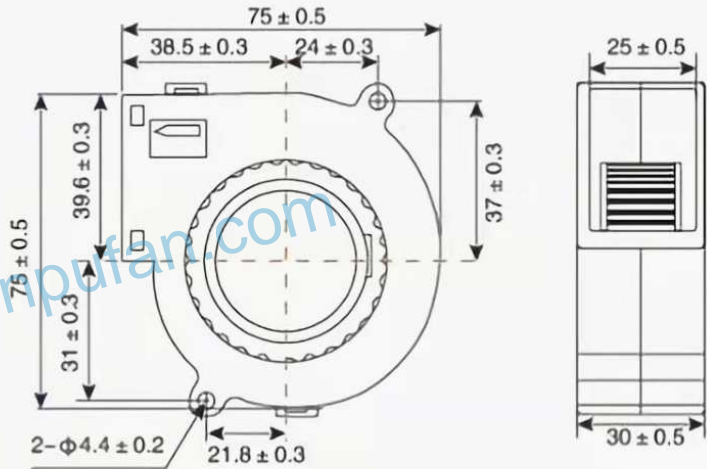
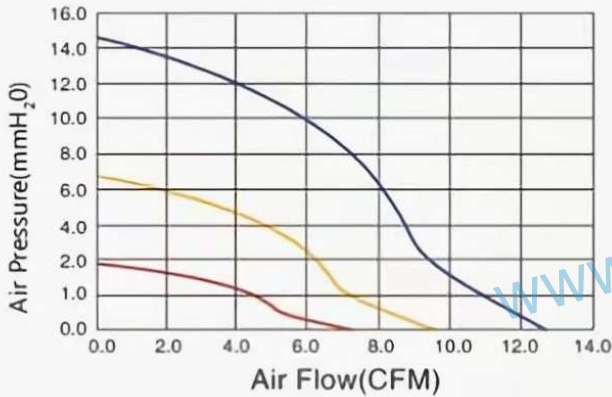
**Housing/Impeller :**  
Plastic Material UL94V-0 PBT

**Expectancy Life:**  
50000 hours at 25°C-Ball  
30000 hours at 25°C-Sleeve

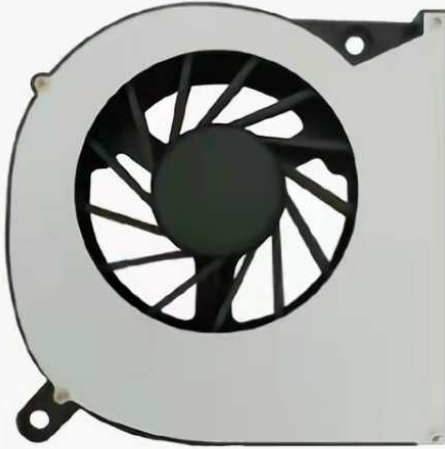
**Operating Temperature:**  
Sleeve bearing -10°C~70°C  
Ball bearing -40°C~75°C

**Weight:** 78.5g

DC BLOWER FAN



Model (型号)	Rated Voltage (额定电压)	Started Voltage (启动电压)	Current (电流)	Speed (转速)	Air Flow (风量)	Air Pressure (风压)	Noise (噪音)
	VDC	VDC	Amp	RPM	CFM	mmH <sub>2</sub> O	dBA
XB7530B(S)12L	12	7.0-13.5	0.12	2000	6.86	1.9	27.2
XB7530B(S)12M			0.23	3000	9.48	6.65	38.0
XB7530B(S)12H			0.28	4000	12.95	14.37	45.5
XB7530B(S)24L	24	18.0-26.5	0.07	2000	6.86	1.9	27.2
XB7530B(S)24M			0.11	3000	9.48	6.65	38.0
XB7530B(S)24H			0.14	4000	12.95	14.37	45.5
XB7530B(S)48L	48	36.0-54.0	0.09	2000	6.86	1.9	27.2
XB7530B(S)48M			0.14	3000	9.48	6.65	38.0
XB7530B(S)48H			0.07	4000	12.95	14.37	45.5



# 8017

 Size: 80x80x17mm

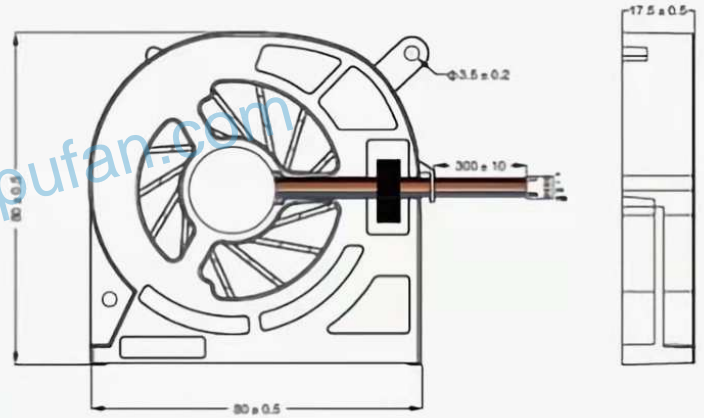
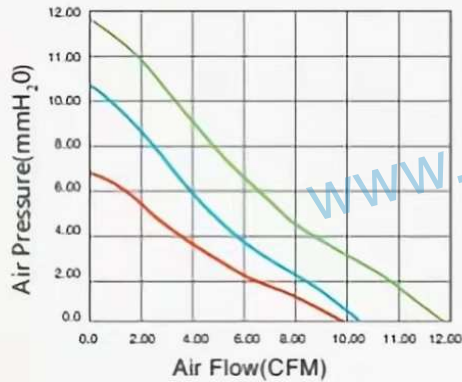
**Bearing system :**  
Sleeve/Hydraulic/Ball

**Housing/Impeller :**  
Plastic Material UL94V-0 PBT

**Expectancy Life:**  
50000 hours at 25°C-Ball  
30000 hours at 25°C-Sleeve

**Operating Temperature:**  
Sleeve bearing -10°C~70°C  
Ball bearing -40°C~75°C

**Weight:** 59g



Model (型号)	Voltage (电压)	Operating Voltage (电压范围)	Current (电流)	Speed (转速)	Air Flow (风量)	Air Pressure (风压)	Noise (噪音)
	VDC	VDC	Amp	RPM	CFM	mmH <sub>2</sub> O	dB-A
XB8017B(S)05L	5	3.6-6.8	0.09	2500	9.75	6.72	27.6
XB8017B(S)05M			0.13	3000	10.07	10.12	32.5
XB8017B(S)05H			0.22	3500	11.91	11.91	37.6
XB8017B(S)12L	12	7.0-13.5	0.28	2500	9.75	6.72	27.6
XB8017B(S)12M			0.36	3000	10.07	10.12	32.5
XB8017B(S)12H			0.41	3500	11.91	11.91	37.6

# 8020 Size: 80x80x20mm



**Bearing system :**  
Sleeve/Hydraulic/Ball

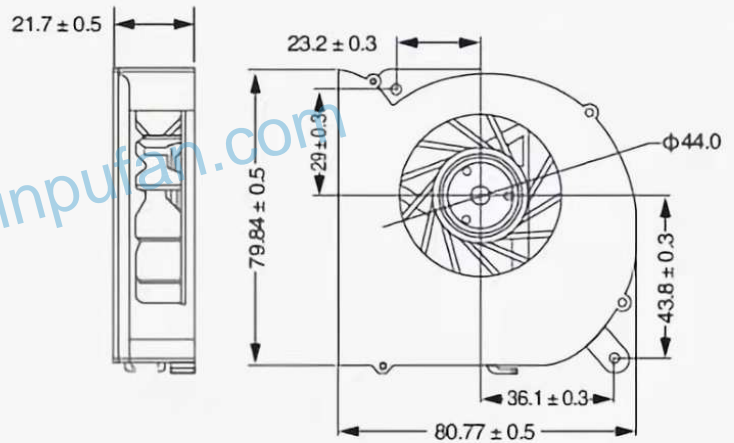
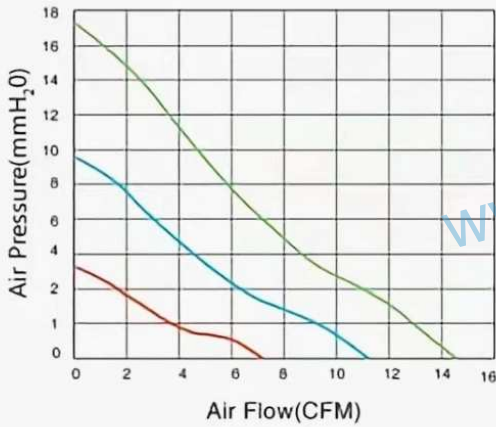
**Housing/Impeller :**  
Plastic Material UL94V-0 PBT

**Expectancy Life:**  
50000 hours at 25°C-Ball  
30000 hours at 25°C-Sleeve

**Operating Temperature:**  
Sleeve bearing -10°C~70°C  
Ball bearing -40°C~75°C

**Weight:** 88g

DC BLOWER FAN



Model (型号)	Rated Voltage (额定电压)	Started Voltage (启动电压)	Current (电流)	Speed (转速)	Air Flow (风量)	Air Pressure (风压)	Noise (噪音)
	VDC	VDC	Amp	RPM	CFM	mmH <sub>2</sub> O	dBA
XB8020B(S)05L	5	3.6-6.8	0.09	2000	7.01	3.44	21.5
XB8020B(S)05M			0.13	3000	11.40	9.12	33.3
XB8020B(S)05H			0.22	4000	14.28	17.54	42.0
XB8020B(S)12L	12	7.0-13.5	0.22	2000	7.01	3.44	21.5
XB8020B(S)12M			0.32	3000	11.04	9.12	33.3



# 9733

 Size: 97x94x33mm

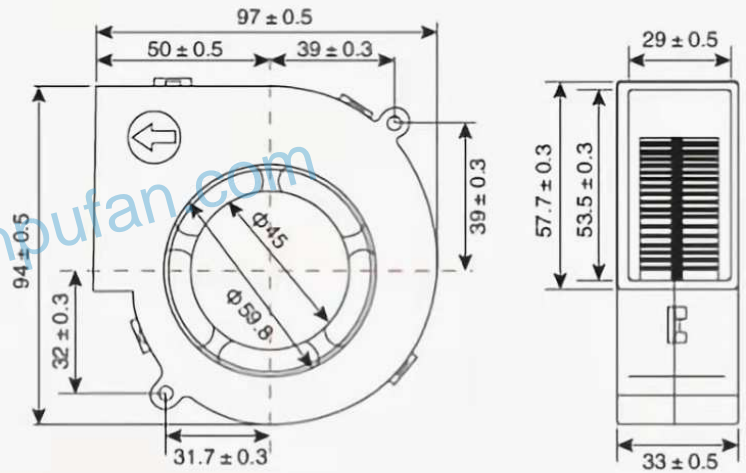
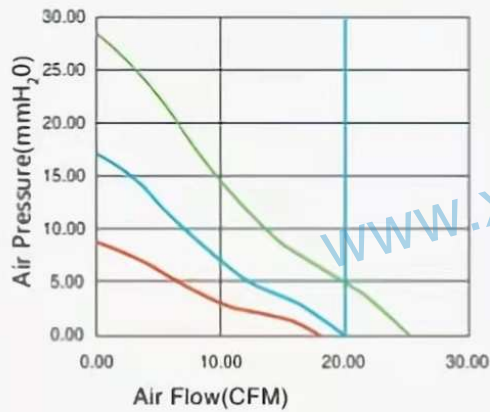
**Bearing system :**  
Sleeve/Hydraulic/Ball

**Housing/Impeller :**  
Plastic Material UL94V-0 PBT

**Expectancy Life:**  
50000 hours at 25°C-Ball  
30000 hours at 25°C-Sleeve

**Operating Temperature:**  
Sleeve bearing -10°C~70°C  
Ball bearing -40°C~75°C

**Weight:** 168.3g



Model (型号)	Rated Voltage (额定电压)	Started Voltage (启动电压)	Current (电流)	Speed (转速)	Air Flow (风量)	Air Pressure (风压)	Noise (噪音)
	VDC	VDC	Amp	RPM	CFM	mmH <sub>2</sub> O	dBA
XB9733B(S)12L	12	7.0-13.5	0.35	3000	17.98	8.72	44.8
XB9733B(S)12M			0.35	4000	19.94	17.07	51.0
XB9733B(S)12H			1.00	5000	25.06	28.37	56.2
XB9733B(S)24L	24	18.0-26.5	0.18	3000	17.98	8.72	44.8
XB9733B(S)24M			0.32	4000	19.94	17.07	51.0
XB9733B(S)24H			0.50	5000	25.06	28.37	56.2

# 12032 Size: 120x120x32mm



**Bearing system :**  
Sleeve/Hydraulic/Ball

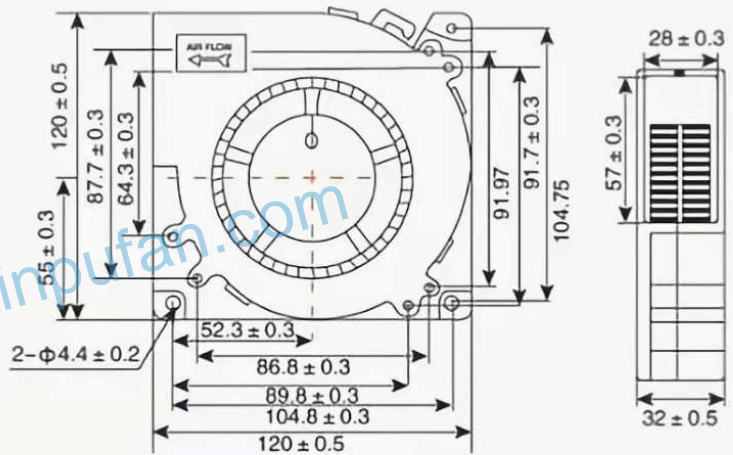
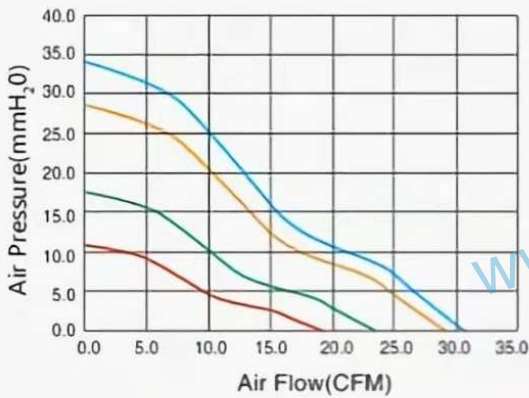
**Housing/Impeller :**  
Plastic Material UL94V-0 PBT

**Expectancy Life:**  
50000 hours at 25°C-Ball  
30000 hours at 25°C-Sleeve

**Operating Temperature:**  
Sleeve bearing -10°C~70°C  
Ball bearing -40°C~75°C

**Weight:** 219.7g

DC BLOWER FAN



Model (型号)	Voitage (电压)	Operating Voitage (电压范围)	Current (电流)	Speed (转速)	Air Flow (风量)	Air Pressure (风压)	Noise (噪音)
	VDC	VDC	Amp	RPM	CFM	mmH <sub>2</sub> O	dB-A
XB12032B(S)12L	12	8.0-13.5	0.52	2000	18.94	11.03	44.6
XB12032B(S)12M			0.60	2500	23.19	17.95	50.3
XB12032B(S)12H			1.00	3000	28.09	28.27	54.6
XB12032B(S)12X			1.46	3300	30.45	34.27	56.0
XB12032B(S)24L	24	18.0-26.4	0.26	2000	18.94	11.03	44.6
XB12032B(S)24M			0.29	2500	23.19	17.95	50.3
XB12032B(S)24H			0.60	3000	28.09	28.27	54.6
XB12032B(S)24X			0.75	3300	30.45	34.27	56.0