

6006

 Size: $\varnothing 60 \times 6 \text{mm}$

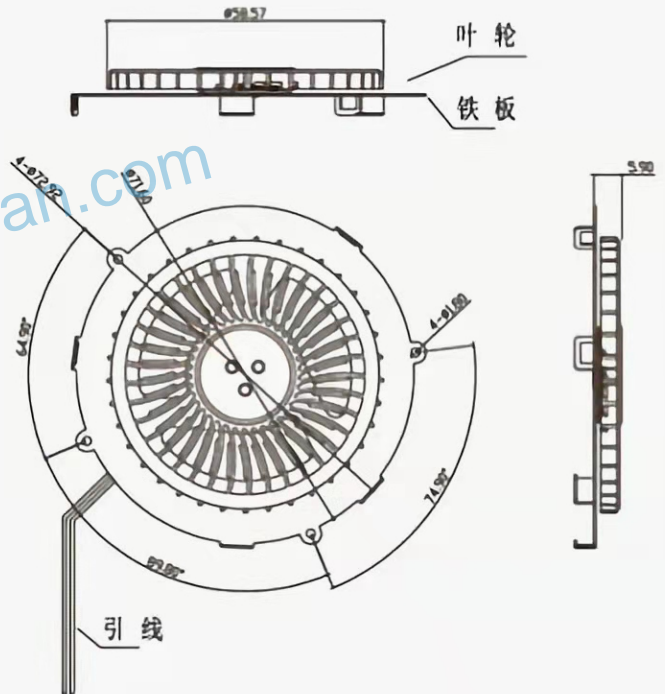
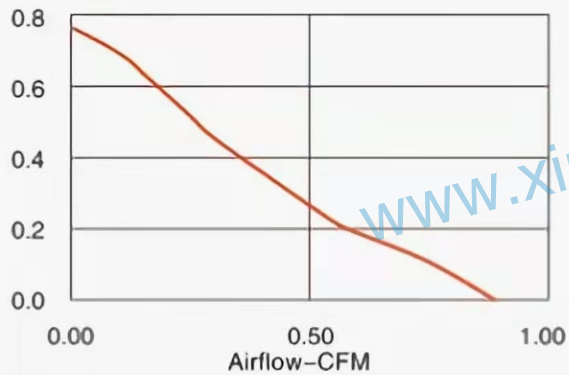

Bearing system :
Sleeve/Hydraulic

Housing/Impeller :
Plastic Material UL94V-0 PBT

Expectancy Life:
30000 hours at 25°C-Sleeve

Operating Temperature:
Sleeve bearing -10°C~70°C

Weight: 20g



DC CENTRIFUGAL FAN

Model (型号)	Voltage (电压)	Operating Voltage (电压范围)	Current (电流)	Speed (转速)	Air Flow (风量)	Air Pressure (风压)	Noise (噪音)
	VDC	VDC	Amp	RPM	CFM	mmH ₂ O	dB-A
XC6006S05H	5	4.5-5.5	0.3	2000	0.89	0.76	20.5

10025

 Size: $\varnothing 100 \times 25 \text{mm}$

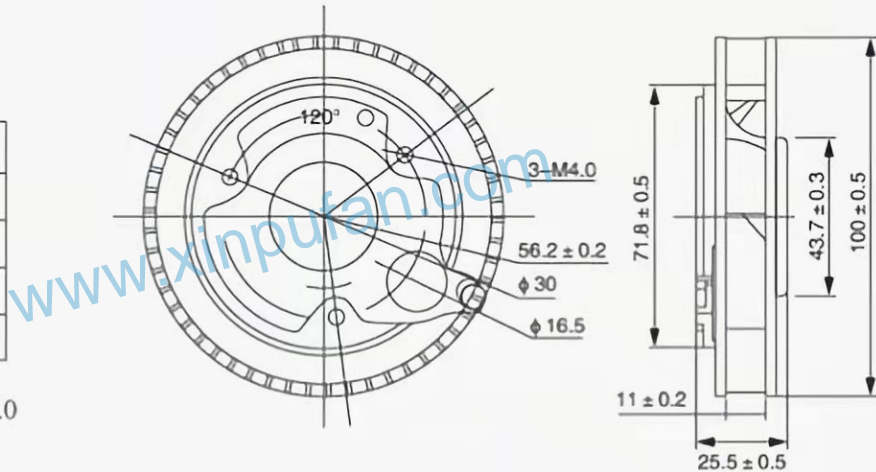
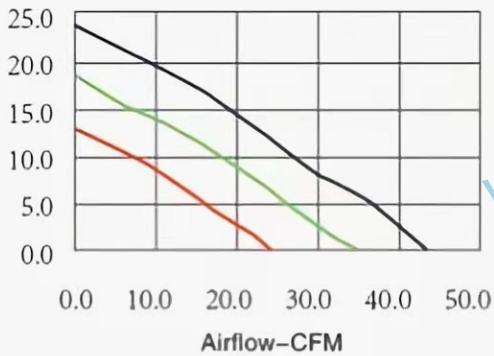

Bearing system :
Sleeve/Hydraulic/Ball

Housing/Impeller :
Plastic Material UL94V-0 PBT

Expectancy Life:
50000 hours at 25°C-Ball
30000 hours at 25°C-Sleeve

Operating Temperature:
Sleeve bearing -10°C~70°C
Ball bearing -40°C~75°C

Weight: 90g



Model (型号)	Voltage (电压)	Operating Voltage (电压范围)	Current (电流)	Speed (转速)	Air Flow (风量)	Air Pressure (风压)	Noise (噪音)
	VDC	VDC	Amp	RPM	CFM	mmH ₂ O	dB-A
XC10025S(B)12L	12	6.0-13.5	0.29	2500	24.18	13.16	31.0
XC10025S(B)12M			0.41	3500	33.85	18.42	43.5
XC10025S(B)12H			0.53	4500	43.52	23.69	55.9
XC10025S(B)24L	24	18.0-26.5	0.15	2500	24.18	13.16	31.0
XC10025S(B)24M			0.21	3500	33.85	18.42	43.5
XC10025S(B)24H			0.27	4500	43.52	23.69	55.9

12025

 Size: $\varnothing 120 \times 25 \text{mm}$

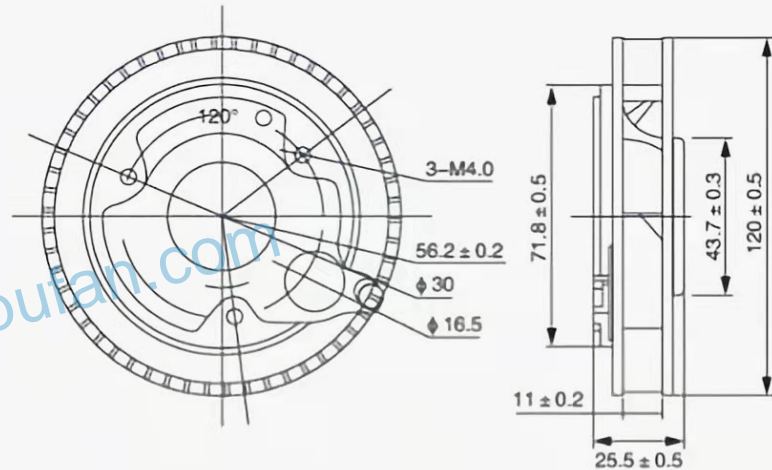
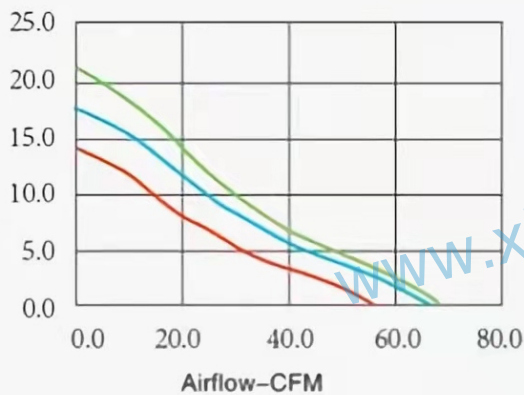

Bearing system :
Sleeve/Hydraulic/Ball

Housing/Impeller :
Plastic Material UL94V-0 PBT

Expectancy Life:
50000 hours at 25°C-Ball
30000 hours at 25°C-Sleeve

Operating Temperature:
Sleeve bearing -10°C~70°C
Ball bearing -40°C~75°C

Weight: 120g



Model (型号)	Voltage (电压)	Operating Voltage (电压范围)	Current (电流)	Speed (转速)	Air Flow (风量)	Air Pressure (风压)	Noise (噪音)
	VDC	VDC	Amp	RPM	CFM	mmH ₂ O	dB-A
XC12025S(B)12L	12	7.5-13.5	0.6	2500	57.29	13.95	45
XC12025S(B)12M			0.8	3000	68.14	17.74	49.6
XC12025S(B)12H			1.2	3500	69.69	21.18	53.5
XC12025S(B)24L	24	18-26.5	0.3	2500	57.29	13.95	45
XC12025S(B)24M			0.4	3000	68.14	17.74	49.6
XC12025S(B)24H			0.6	3500	69.69	21.18	53.5
XC12025S(B)48L	48	36-54	0.15	2500	57.29	13.95	45
XC12025S(B)48M			0.2	3000	68.14	17.74	49.6
XC12025S(B)48H			0.32	3500	69.69	21.18	53.5